

**Sample Order / Cheat Sheet**  
K Builder Series 1/2

QUOTE  ORDER

NAME: \_\_\_\_\_

PO# \_\_\_\_\_

ADDRESS: \_\_\_\_\_

DELIVERY: \_\_\_\_\_

ADDRESS: \_\_\_\_\_



ORDER DATE: \_\_\_\_\_

OFFICE PHONE: \_\_\_\_\_

CONTACT: \_\_\_\_\_

FAX PHONE: \_\_\_\_\_

JOB NAME: \_\_\_\_\_

JOB PHONE: \_\_\_\_\_

**HARDWARE WORK ORDER**

Toll Free 888.788.2013 or 208.788.2013; Fax 208.788.2577

201012

LINE NO.	FUNCTION	HANDLE		ESCUTCHEON		METAL	PATINA	HANDING OR LENGTH	BACKSET	DOOR THICKNESS	LOCK TYPE	DEAD BOLT TRIM	DESCRIPTION	LOCATION #	QTY.	PRICE QUOTED
		EXTERIOR	INTERIOR	EXTERIOR	INTERIOR											
1	BPA	LB60	LB60	EB40	EB40	B	D	R	238	138	SL			1	1	260.00
2	BPR	LB50	LB50	EB75	EB75	B	R	L	234	134	SL			2	1	291.00
3	BDU	KB60	KB60	EB50	EB50	W	L	L						3	1	192.00
4	BDU	LB50	N	EB55	N	W	M	R						4	1	216.00

**FUNCTION**

BPA = Builder Passage  
BPR = Builder Privacy  
BDU = Builder Dummy  
BHNG = Extruded Door Hinge

**HANDLE**

For a list of Levers and Knobs available for Builder Series Sets, see next page.

For specifications, refer to Page K1.

**ESCUTCHEONS**

For a list of Escutcheons available for Builder Series Sets, see next page.

For configurations, specifications, and pricing, refer to content of this section.

**METAL**

B = Silicon Bronze  
W = White Bronze

**PATINA**

L = Light  
M = Medium  
D = Dark  
R = Rust  
BB = Brushed  
DL = Dark Lustre

**HANDING**

See Hinged Door Handing diagram, next page.

L = Left Hand  
R = Right Hand

LR = Left Hand Reverse  
RR = Right Hand Reverse

**BACKSET**

238 = 2 3/8" SL  
234 = 2 3/4" SL  
N = No

**DOOR THICKNESS**

138 = 1 3/8"  
112 = 1 1/2"  
134 = 1 3/4"  
178 = 1 7/8"  
2 = 2"

Up-charge for sizes below.  
Call for pricing.

214 = 2 1/4"  
212 = 2 1/2"  
258 = 2 5/8"  
234 = 2 3/4"  
3 = 3"  
314 = 3 1/4"  
312 = 3 1/2"  
4 = 4"  
N = No

**LOCK TYPE**

Complete Sets  
SL = Spring Latch

**DEAD BOLT TRIM**

Not Applicable

**DESCRIPTION**

See Page Kii

**LOCATION #**

Room Number or Door Number, etc.

**QTY**

Number of each desired

**PRICE**

\$ List price each

**HANDLES**

**Levers**

- LB30 = Small Reed Lever
- LB50 = Small Beaver Tail Lever
- LB60 = Small Olympus Lever

**Knobs**

- KB40 = Small Squash Knob
- KB50 = Small Potato Knob
- KB60 = Small Luna Knob

**ESCUTCHEONS**

**Rectangular**

- EB50 = 2 1/2" x 3 3/4" Rect
- EB55 = 2 1/2" x 6 1/2" Rect

**Stepped**

- EB40 = 2 1/2" x 3 3/4" Stepped
- EB45 = 2 1/2" x 6 1/2" Stepped

**Arched**

- EB70 = 2 1/2" x 3 3/4" Arched
- EB75 = 2 1/2" x 6 1/2" Arched

**Curved**

- EB80 = 2 1/2" x 3 3/4" Curved
- EB85 = 2 1/2" x 6 1/2" Curved

**Metro**

- EB20 = 2 1/2" x 3 3/4" Metro
- EB25 = 2 1/2" x 6 1/2" Metro

**DESCRIPTION**

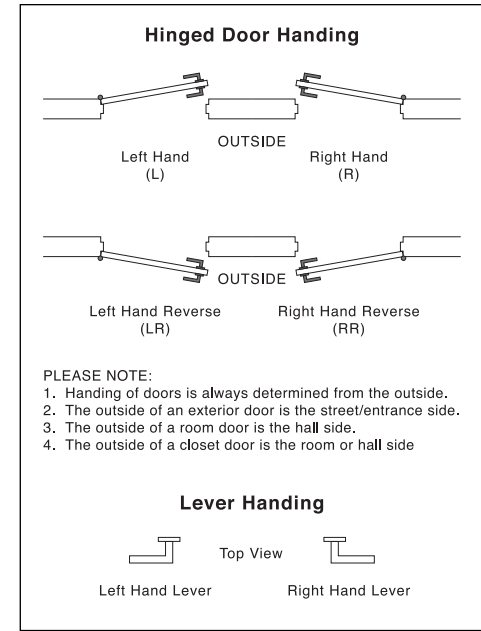
**1/2" Barrel Extruded Hinges**

- HNG3.5B = Plain Bearing Hinge, 3 1/2" x 3 1/2"
- HNG4B = Plain Bearing Hinge, 4" x 4"
- HNG4.5B = Plain Bearing Hinge, 4 1/2" x 4 1/2"

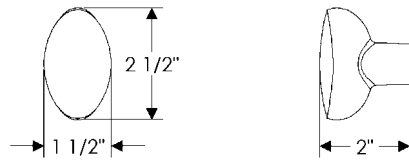
**Finial Caps**

- XT50 = Finial Cap, 1/2" Standard
- BT50 = Finial Cap, 1/2" Ball
- AT50 = Finial Cap, 1/2" Acorn

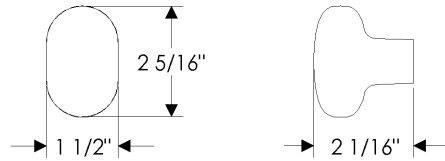
**HANDING**



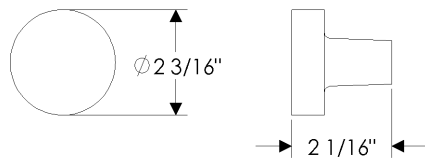
Knobs and Levers available for Builder Series combinations



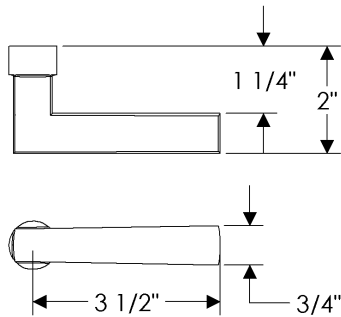
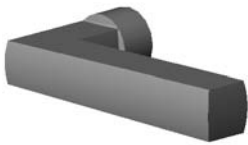
KB40 Small Squash Knob



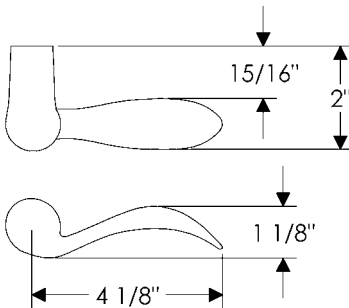
KB50 Small Potato Knob



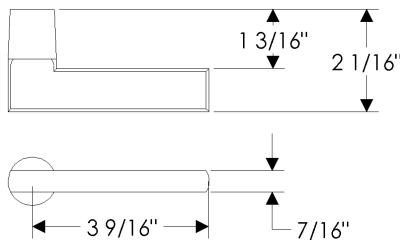
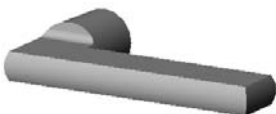
KB60 Small Luna Knob



LB30 Small Reed Lever



LB50 Small Beaver Tail Lever

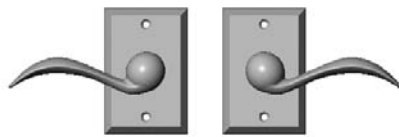


LB60 Small Olympus Lever

- All finishes are priced the same.
- Price includes your choice of any Builder Series knob or lever (KB40, KB50, KB60, LB30, LB50, or LB60).
- Combinations are shown with LB50 Small Beaver Tail Lever for illustration purposes only. Refer to page K1 for desired handle.
- Specify metal, patina, handing, backset, door thickness, and lock type.

EXTERIOR INTERIOR

EXTERIOR INTERIOR

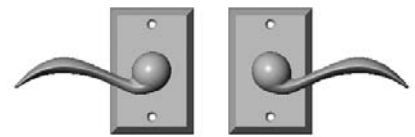
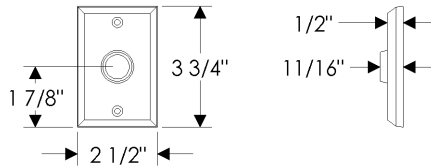


EB50 EB50

Passage Spring Latch . . . . . \$ 260.00  
 Privacy Spring Latch. . . . . \$ 268.00

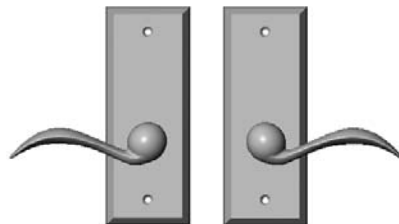
**RECTANGULAR ESCUTCHEONS**

2 1/2" x 3 3/4" Escutcheons



EB50 EB50

Single Dummy . . . . . \$ 96.00  
 Full Dummy . . . . . \$ 192.00

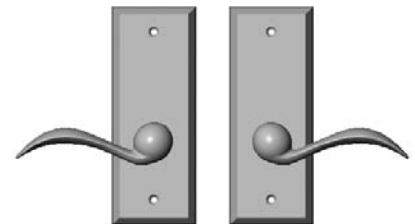
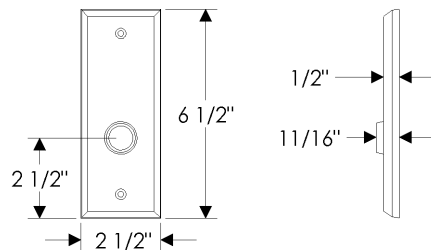


EB55 EB55

Passage Spring Latch . . . . . \$ 283.00  
 Privacy Spring Latch. . . . . \$ 291.00

**RECTANGULAR ESCUTCHEONS**

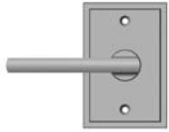
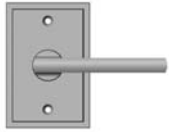
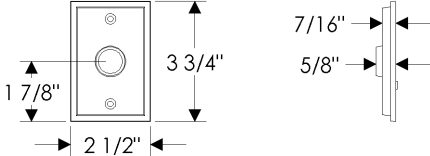
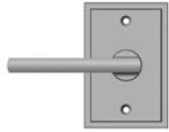
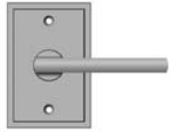
2 1/2" x 6 1/2" Escutcheons



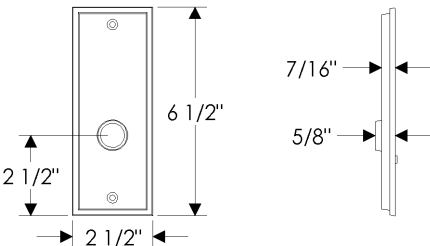




EB55 EB55

Single Dummy . . . . . \$ 108.00  
 Full Dummy . . . . . \$ 216.00

- All finishes are priced the same.
- Price includes your choice of any Builder Series knob or lever (KB40, KB50, KB60, LB30, LB50, or LB60).
- Combinations are shown with LB60 Small Olympus Lever for illustration purposes only. Refer to page K1 for desired handle.
- Specify metal, patina, handing, backset, door thickness, and lock type.

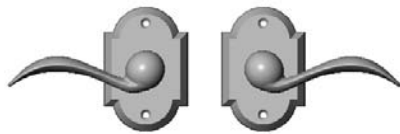
EXTERIOR	INTERIOR		EXTERIOR	INTERIOR
		<p><b>STEPPED ESCUTCHEONS</b> 2 1/2" x 3 3/4" Escutcheons</p> 		
EB40	EB40		EB40	EB40
Passage Spring Latch . . . . .			Single Dummy . . . . .	\$ 96.00
Privacy Spring Latch. . . . .	\$ 260.00		Full Dummy . . . . .	\$ 192.00
	\$ 268.00			

		<p><b>STEPPED ESCUTCHEONS</b> 2 1/2" x 6 1/2" Escutcheons</p> 		
EB45	EB45		EB45	EB45
Passage Spring Latch . . . . .			Single Dummy . . . . .	\$ 108.00
Privacy Spring Latch. . . . .	\$ 283.00		Full Dummy . . . . .	\$ 216.00
	\$ 291.00			

- All finishes are priced the same.
- Price includes your choice of any Builder Series knob or lever (KB40, KB50, KB60, LB30, LB50, or LB60).
- Combinations are shown with LB50 Small Beaver Tail Lever for illustration purposes only. Refer to page K1 for desired handle.
- Specify metal, patina, handing, backset, door thickness, and lock type.

EXTERIOR INTERIOR

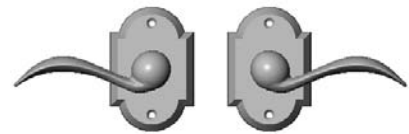
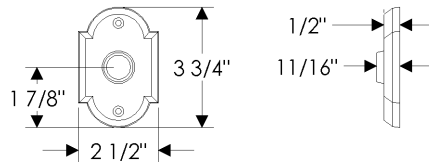
EXTERIOR INTERIOR



EB70 EB70

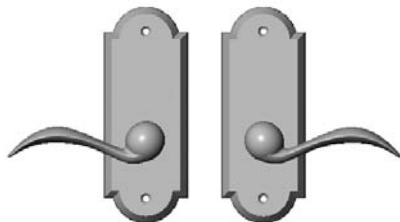
Passage Spring Latch . . . . . \$ 260.00  
 Privacy Spring Latch. . . . . \$ 268.00

**ARCHED ESCUTCHEONS**  
 2 1/2" x 3 3/4" Escutcheons



EB70 EB70

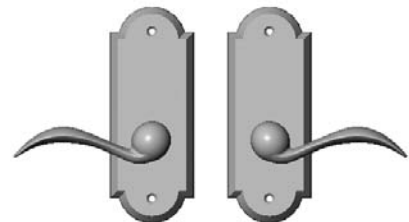
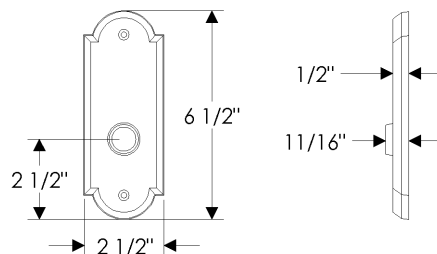
Single Dummy . . . . . \$ 96.00  
 Full Dummy . . . . . \$ 192.00



EB75 EB75

Passage Spring Latch . . . . . \$ 283.00  
 Privacy Spring Latch. . . . . \$ 291.00

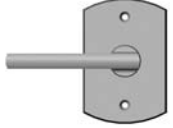
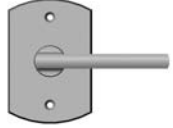
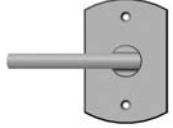
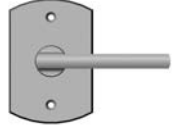
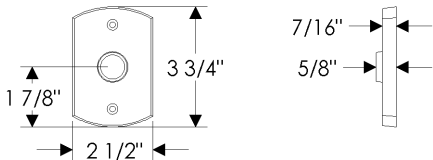
**ARCHED ESCUTCHEONS**  
 2 1/2" x 6 1/2" Escutcheons


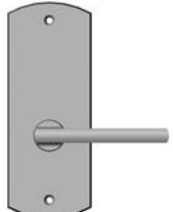
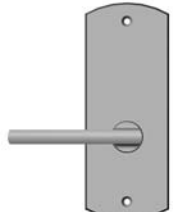
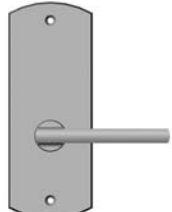
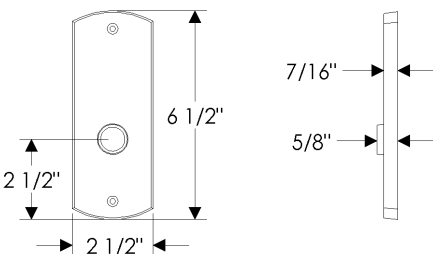


EB75 EB75

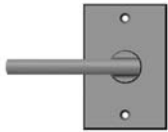
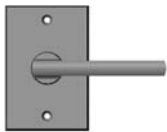
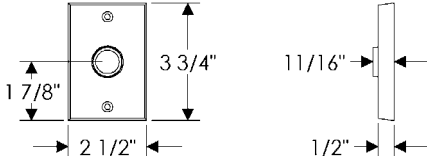
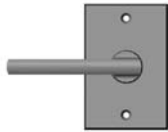
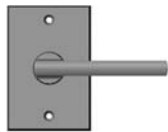
Single Dummy . . . . . \$ 108.00  
 Full Dummy . . . . . \$ 216.00

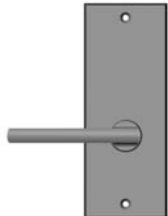
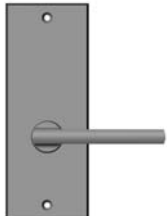
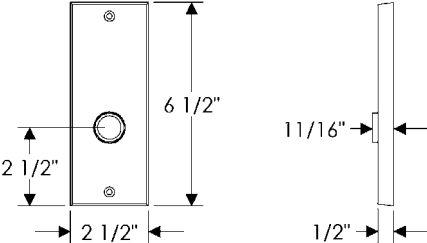
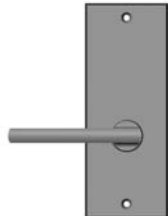
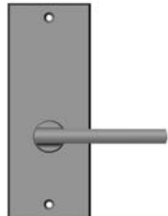
- All finishes are priced the same.
- Price includes your choice of any Builder Series knob or lever (KB40, KB50, KB60, LB30, LB50, or LB60).
- Combinations are shown with LB60 Small Olympus Lever for illustration purposes only. Refer to page K1 for desired handle.
- Specify metal, patina, handing, backset, door thickness, and lock type.

EXTERIOR	INTERIOR		EXTERIOR	INTERIOR
		<b>CURVED ESCUTCHEONS</b> 2 1/2" x 3 3/4" Escutcheons		
EB80	EB80		EB80	EB80
Passage Spring Latch . . . . . \$	260.00		Single Dummy . . . . . \$	96.00
Privacy Spring Latch. . . . . \$	268.00		Full Dummy . . . . . \$	192.00

		<b>CURVED ESCUTCHEONS</b> 2 1/2" x 6 1/2" Escutcheons		
EB85	EB85		EB85	EB85
Passage Spring Latch . . . . . \$	283.00		Single Dummy . . . . . \$	108.00
Privacy Spring Latch. . . . . \$	291.00		Full Dummy . . . . . \$	216.00

- All finishes are priced the same.
- Price includes your choice of any Builder Series knob or lever (KB40, KB50, KB60, LB30, LB50, or LB60).
- Combinations are shown with LB60 Small Olympus Lever for illustration purposes only. Refer to page K1 for desired handle.
- Specify metal, patina, handing, backset, door thickness, and lock type.

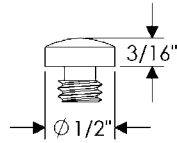
EXTERIOR	INTERIOR			EXTERIOR	INTERIOR
		<p><b>METRO ESCUTCHEONS</b> 2 1/2" x 3 3/4" Escutcheons</p> 			
EB20	EB20			EB20	EB20
Passage Spring Latch . . . . .	\$ 260.00			Single Dummy . . . . .	\$ 96.00
Privacy Spring Latch . . . . .	\$ 268.00			Full Dummy . . . . .	\$ 192.00

		<p><b>METRO ESCUTCHEONS</b> 2 1/2" x 6 1/2" Escutcheons</p> 			
EB25	EB25			EB25	EB25
Passage Spring Latch . . . . .	\$ 283.00			Single Dummy . . . . .	\$ 108.00
Privacy Spring Latch . . . . .	\$ 291.00			Full Dummy . . . . .	\$ 216.00

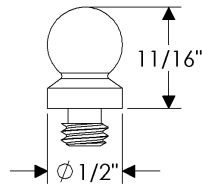


- All finishes are priced the same.
- Specify metal and patina.
- Two caps are included with hinge. Priced individually for replacement.
- Finial Caps shown on this page are compatible with Plain Bearing Extruded 1/2" Barrell Hinges shown on page K8.

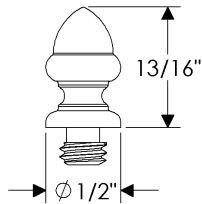
**Finial Caps—1/2" Barrel**



**XT50 Standard Finial Cap**  
 / Each ..... \$ 37.00  
 / Pair ..... \$ 74.00



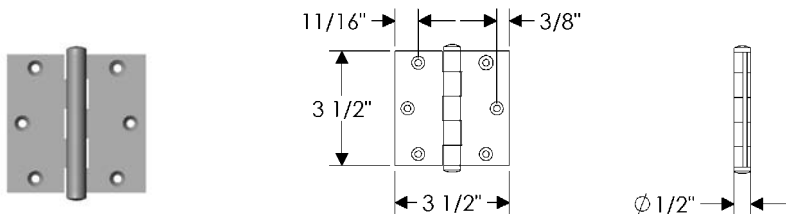
**BT50 Ball Finial Cap**  
 / Each ..... \$ 37.00  
 / Pair ..... \$ 74.00



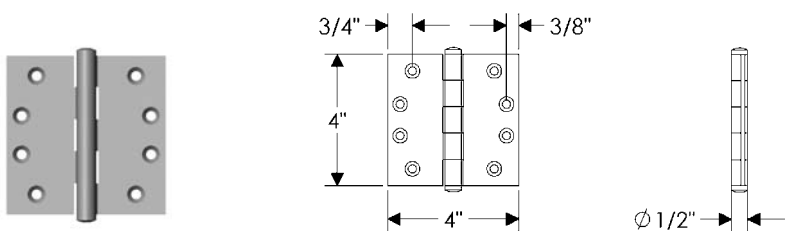
**AT50 Acorn Finial Cap**  
 / Each ..... \$ 37.00  
 / Pair ..... \$ 74.00

- All finishes are priced the same.
- Specify metal and patina.
- Price includes your choice of Finial Caps.
- Hinge leaf thickness is .125. Unless otherwise specified.
- Each hinge is supplied with two 3" long and eight 1 1/4" long slotted screws. Flat-head Phillips screws available upon request.

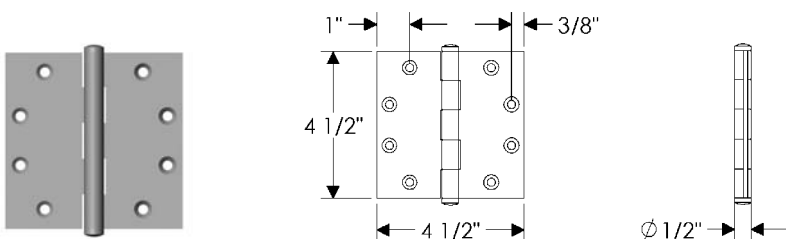
**Plain Bearing Extruded Hinges—1/2" Barrel**



**HNG3.5B** Plain Bearing Extruded Hinge  
 3 1/2" x 3 1/2" / Each ..... \$ 98.00



**HNG4B** Plain Bearing Extruded Hinge  
 4" x 4" / Each ..... \$ 107.00



**HNG4.5B** Plain Bearing Extruded Hinge  
 4 1/2" x 4 1/2" / Each ..... \$ 118.00