

MODEL 117-1/2

Application

- Exterior or Interior Doors
- Weight to 650 lbs.*
- Door Width up to 4'0" (1219mm)
- Handed



ANSI/C07121/C07202

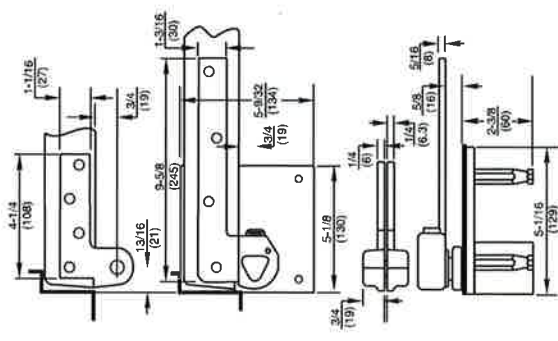
* Door size & weight guidelines are determined using the appropriate number of intermediate pivots

Product Description & Features

- Standard top pivot 180 included
- M19 intermediate pivot required (order separately), see page 18
- Bottom pivot mortised into floor
- Available for fire door assemblies up to three hours (ferrous material) – specify F117-1/2. Intermediate pivot required by UL. Specify FM19 (order separately), see page 18
- For 20-minute label suffix “-20” to the part number
- Non-ferrous base material
- Doors 60" (1524mm) to 90" (2286mm) in height should use one intermediate pivot. Each additional 30" (762mm) of door height warrants another intermediate pivot
- 3/4" (19mm) offset (measured from centerline of pivot to face of door)
- Available for 1-1/2" (38mm) offset **(door weight 350 lbs.)** for doors with cladding or frame molding
- Door edges must be beveled 1/8" in 2"
- Furnished with wood and machine screws
- Extended spindles available in 1/2" (13mm) increments up to 2" (51mm) longer than standard
- Doors will swing 180°, trim permitting

Technical Information

Frame stop required

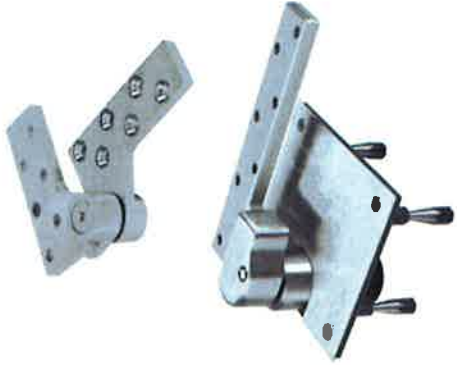


PIVOTS AND PIVOT SETS OFFSET HUNG

MODEL L117

Application

- Exterior or Interior Doors
- Lead-lined/Heavy/High Traffic Doors
- Weight to 1,750 lbs.*
- Door Width up to 4'0" (1219mm)
- Handed



ANSI/C07111

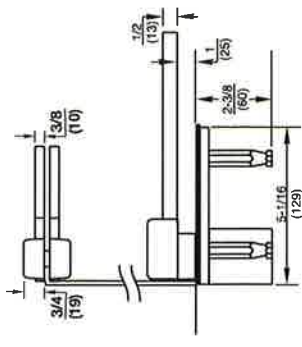
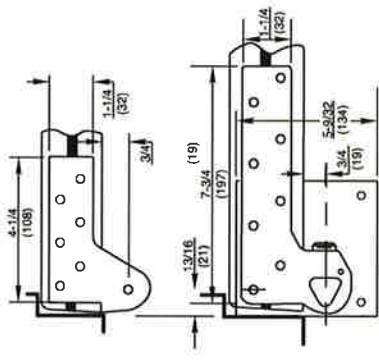
* Door size & weight guidelines are determined using the appropriate number of intermediate pivots

Product Description & Features

- Standard top pivot L180 included
- ML19 intermediate pivot required (order separately), see page 19
- Bottom pivot mortised into floor
- Available for fire door assemblies up to three hours (ferrous material). Specify FL17. Intermediate pivot required by UL. Specify FML19 (order separately), see page 19. Note: UL listing for 1-3/4" thick doors only
- Available to accommodate lead in door thicknesses 1-3/4" (44mm), 2" (51mm), 2-1/4" (57mm), 2-1/2" (64mm), or 3" (76mm) – specify when ordering
- Additional thrust bearing for greater load capacity
- Doors 60" (1524mm) to 90" (2286mm) in height should use one intermediate pivot. Each additional 30" (762mm) of door height warrants another intermediate pivot
- For 20-minute label suffix "-20" to the part number
- Non-ferrous base material for top pivot
- 3/4" (19mm) offset (measured from centerline of pivot to face of door)
- Door edges must be beveled in 1/8" in 2"
- Furnished with wood and machine screws
- Extended spindles available in 1/2" (13mm) increments up to 2" (51mm) longer than standard
- Doors will swing 180°, trim permitting

Technical Information

Frame stop required



Pivot for 1-3/4" door shown