

IVES®

157XY

Adjustable
continuous hinge



Overview

Introducing a patented solution that allows lateral and vertical adjustment after the hinge is secured to door and frame. The new Ives 157XY is a heavy duty, easy-to-install full surface continuous hinge that can be used on standard hollow metal, minimum reveal, narrow-faced frames, and narrow stile aluminum doors in aftermarket or new construction applications. The 157XY is the only hinge that allows all lateral and vertical clearances to be adjusted after the hinge is secured to the door and frame, reducing installation time to a fraction of what is required with any other hinge. The 157XY makes door repair work faster and enables more efficient maintenance through the life of the opening.

The Ives FOCUS™ bearing system delivers greater performance and reliability than conventional bearing systems. Patented technology securely keys bearings to the cover and to each other to eliminate the internal flexing and grinding that occur in high abuse applications. All bearings are centered at the mid-height of the door which allows them to be more effective when supporting heavier doors. FOCUS delivers maximum lateral strength at the top and bottom of the door where it's most needed while allowing the hinge to flex with bowed doors and frames without binding. This also enables easy on-site trimming without cutting off bearings and compromising 157XY load-carrying capacity.

Features and benefits

- Compatible with hollow metal, minimum reveal, narrow-faced frames, and narrow stile doors.
- Patented design allows for both lateral and vertical adjustability after the hinge is secured to door and frame, reducing overall installation time and costs.
- FOCUS™ centralized bearing system allows for easy field modification and provides greater strength to the top and bottom of the hinge to prevent door sag.
- Contour of the hinge covers gives the door and frame a clean, aesthetic look

Configuration

- Full surface hinge with 1/16" door insert
- Available in 83", 95", or 119" lengths
- 37 flex-resistant, self-lubricating centered bearings
- Tamper resistant interlocking leaves
- Hardened and plated #12 hex head steel self drilling and tapping screws

157XY Adjustable continuous hinge

Basic features

- Full surface, center pivot aluminum geared continuous hinge
- Uncut hinges are non-handed
- Tamper resistant interlocking leaves

Door information

- Narrow frame
- 1/16" Door inset
- 48" Maximum door width
- Beveled or square edge doors
- For doors weighing up to 550 pounds

Mounting screws

- 12-24 X 1/2" Steel self drilling and tapping screws
- Optional wood screws available

Length chart for 157XY Continuous hinge

Standard lengths

Standard hinge lengths	Door height range	
	Minimum door height	Maximum door height
83"	N/A	84"
95"	84"	96"
119"	96"	120"

Note: Hinge must not be taller than door height, and can be up to one inch shorter; Hinge can be cut to length in field - cut from bottom end only

Finishes



US28/628
Anodized aluminum



US313AN/710
Anodized aluminum

How to order

Example

Model	Length	Finish
157XY	95" *	US28**

*Custom cut to length available at additional cost - consult price book.

**Custom painting and anodized colors available at additional cost - consult factory



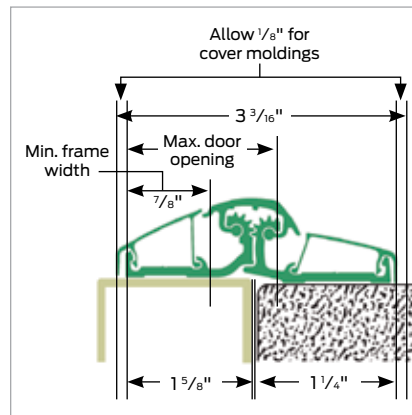
Adjustability



FOCUS™ centralized bearing system



Improved aesthetics



Model

About Allegion

Allegion (NYSE: ALLE) is a global pioneer in safety and security, with leading brands like CISA®, Interflex®, LCN®, Schlage® and Von Duprin®. Focusing on security around the door and adjacent areas, Allegion produces a range of solutions for homes, businesses, schools and other institutions. Allegion is a \$2 billion company, with products sold in almost 130 countries. For more, visit www.allegion.com.