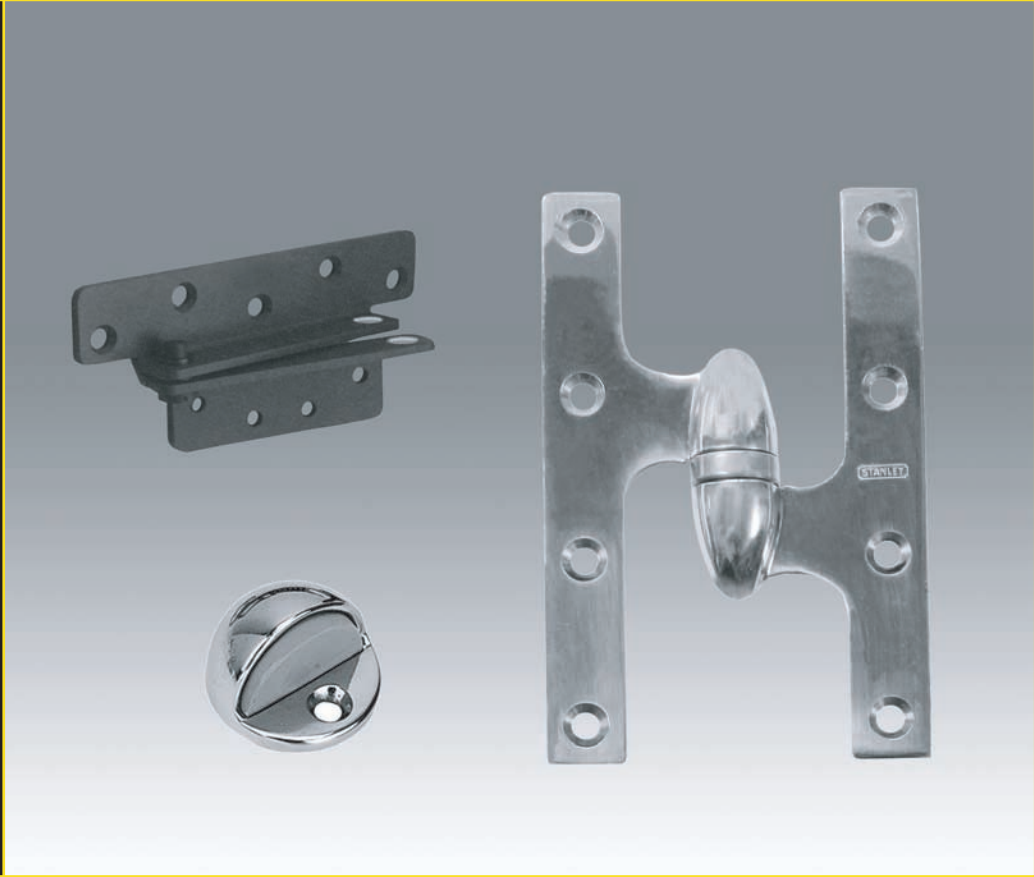


STANLEY[®]
Security Solutions



MISCELLANEOUS

DOOR HARDWARE

STANLEY[®]

TABLE OF CONTENTS	Page
Company history	2
Heavy weight two knuckle full mortise concealed bearing hinge	3
Shock arrestor	4
Olive knuckle hinges	4
Heavy gauge plain bearing full surface hinge	5
Concave wall door stop	5
High and lo-rise floor door stops	6
Residential grade double acting floor hinge	7

COMPANY HISTORY



**The Stanley Works
New Britain, CT in 1843**

As a young man in 1843, Frederick T. Stanley founded The Stanley Works – a small company located in New Britain, Connecticut that manufactured hinges, bolts and other door hardware in a one-story wooden building.

Mr. Stanley’s vision was to create a hardware company with unsurpassed customer service, product innovation and integrity – and to offer products that would become the first choice among professionals around the world.

With the early success of this mission and an increasing demand for his high-quality goods, Mr. Stanley began exporting his products in the 1870s.

Today, Stanley is a global organization supplying hardware and tools for the architectural, consumer, industrial and residential markets worldwide. Utilizing state-of-the-art research, manufacturing and quality-control capabilities, Stanley continues to deliver the innovative, high quality products that have made the Stanley name synonymous with the highest craftsmanship and dependability for more than 165 years.

To our valued customers, we appreciate your loyalty over the years and proudly present our Architectural Hardware offering.

Commercial Customer Service: 1-800-337-4393
www.stanleyhardware.com



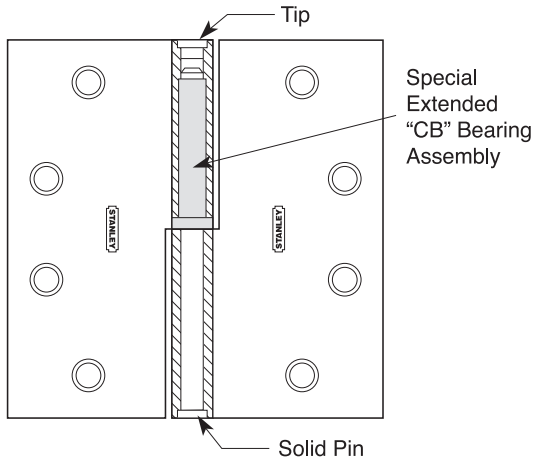
Heavy Weight Two Knuckle Full Mortise Concealed Bearing **LifeSpan**®

CB0701- (ANSI A8111) – Steel – polished and plated or phosphated and prime coated for painting

CB0761- (32) – (ANSI A5111) – Stainless Steel – highly polished

CB0761- (32D) – (ANSI A5111) – Stainless Steel – satin finish

- For heavy doors, or doors where high frequency is expected
- Concealed bearing, takes both vertical and lateral loads
- Secure: Door cannot be lifted off when in closed position
- All hinges have template screw holes location for use on either wood or hollow metal doors and frames
- Loose joint – specify hand



Class Numbers	Finish	EDP Number	Size Open		Gauge of Metal		Number of Flat Head Machine Screws Per Piece	Quantity		Carton Weight	
			Inches	(mm)	Inches	(mm)		Per Box	Per Carton	Lbs.	(KG)
CB0701-RH	P	83-4358	4 1/2"	114	.180	(4.6)	8 - 12 - 24 x 1/2	3 EA.	30 EA.	43	(19.5)
CB0701-LH	P	83-4382	4 1/2"	114	.180	(4.6)	8 - 12 - 24 x 1/2	3 EA.	30 EA.	43	(19.5)
CB0761-RH	32	83-4366	4 1/2"	114	.180	(4.6)	8 - 12 - 24 x 1/2	3 EA.	30 EA.	43	(19.5)
CB0761-LH	32	83-4390	4 1/2"	114	.180	(4.6)	8 - 12 - 24 x 1/2	3 EA.	30 EA.	43	(19.5)
CB0761-RH	32D	83-4374	4 1/2"	114	.180	(4.6)	8 - 12 - 24 x 1/2	3 EA.	30 EA.	43	(19.5)
CB0761-LH	32D	83-4408	4 1/2"	114	.180	(4.6)	8 - 12 - 24 x 1/2	3 EA.	30 EA.	43	(19.5)

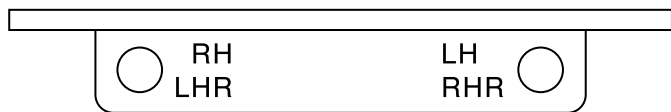
Available in other architectural hardware finishes – consult factory

MISCELLANEOUS DOOR HARDWARE

Shock Arrestor

225R – Steel – phosphated and prime coated for painting or polished and plated

- Protects against loosened screws and bent hinge leaves
- For doors 1 3/4" (44 mm) thick with either standard or heavy weight hinges 4 1/2" (114 mm) wide
- Designed to fit doors inset 1/8" (3.2 mm). For flush applications place a 1/8" (3.2 mm) shim underneath the frame plate.
- Brass pintle and large screws resist maximum shock loads
- Surface applied
- For square or beveled edge doors



FRAME PLATE

Design allows for quick and easy handing in the field



Gauge	Number of 1/4 – 20 x 1" Flat Head Machine Screws Per Set	Number of 1/4 – 20 Molly Jack Nuts Per Set	Number of 1/4 – 20 Hex Nuts Per Set	Quantity		Carton Weight	
				Per Box	Per Carton	Lbs.	(KG)
.187	9	5	4	1	10	20	(9.1)

Olive Knuckle Hinge

BB95 – (ANSI A1612) – Forged brass – polished and finished

- For interior or exterior doors that demand hinges with the smart clean look
- Can be used on hollow metal or wood doors and frames
- Ideal for use in offices, restaurants, recreational building and residences
- Designed in particular for 1 3/8" (35 mm) to 1 3/4" (44 mm) average frequency doors
- Equipped with an anti-friction bearing assembly
- Template hole locations
- Handed – when ordering specify right or left hand
- Edge of hinge closest to the barrel should be 1/4" (6.4 mm) from face of door, regardless of door thickness



Size Open		Gauge of Metal		Width of Leaves		Flat Head Screws / Per Piece		Quantity		Case Weight	
Inches	(mm)	Inches	(mm)	Inches	(mm)	Machine	Wood	Per Box	Per Carton	Lbs.	(KG)
6 x 3 7/8	(152 x 98)	.203	(5.2)	1 3/16	(20.6)	8 - 12-24 x 1/2	4 - 12 x 1 1/4	3 EA.	30 EA.	35	(16)

MISCELLANEOUS DOOR HARDWARE

Heavy Gauge Plain Bearing Full Surface

850 – Steel – Unfinished (PS)

- No hole construction featuring heavy gauge steel and fast spun pins
- Not swaged for full surface weld on applications
- Hinge widths are approximately 1/8" less than normal sizes shown
- All sizes have five knuckles
- Plain steel
- Bulk packed



Fast spun pin

Catalog Number	PS/EDP Number	Nominal Size		Gauge of Metal	Pin Diameter	Pieces Per Box	Pieces Per Case	Case Weight	
		Inches	(mm)					Lbs.	(Kg)
850	12 7400	2" x 2"	(51x51)	.099	.204	10	200	33	(15)
850	12 7600	2 1/2" x 2 1/2"	(63x63)	.110	.231	10	200	57	(26)
850	12 7850	3" x 3"	(76x76)	.110	.282	2	40	18	(8.2)
850	12 8100	3 1/2" x 3 1/2"	(89x89)	.120	.273	2	50	30	(13.6)
850	12 8350	4" x 4"	(102x102)	.139	.270	2	40	35	(16)
850	12 8450	4 1/2" x 4 1/2"	(114x114)	.150	.292	2	40	46	(21)
850	12 8550	5" x 5"	(127x127)	.165	.309	2	40	60	(27.2)
850	12 8750	6" x 6"	(152x152)	.187	.328	2	40	48	(22)

Concave Wall Door Stop

- CD57-5411** – (ANSI LO2251) – Brass – white finish
- CD75-0108** – (ANSI LO2251) – Brass – 10BL
- CD75-0161** – (ANSI LO2251) – Brass – 26
- CD75-0163** – (ANSI LO2251) – Brass – 14
- CD75-0164** – (ANSI LO2251) – Brass – 15
- CD80-4010** – (ANSI LO2251) – Brass – 3
- CD80-4011** – (ANSI LO2251) – Stainless steel – 32D



- Durable polyisoprene gray rubber
- Use on walls to help prevent damage

Class Numbers	Base Diameter		Installed Height		Screws and Plastic Anchor Per Piece	Quantity		Carton Weight	
	Inches	(mm)	Inches	(mm)		Per Box	Per Carton	Lbs.	(KG)
CD57-5411	2 1/4	(57)	1 5/16	(33.3)	1 - 10 x 1 1/8 Oval Head	5	50	13	(5.9)
CD75-0108	2 1/4	(57)	1 5/16	(33.3)	1 - 10 x 1 1/8 Oval Head	5	5	1.6	(.7)
CD75-0161	2 1/4	(57)	1 5/16	(33.3)	1 - 10 x 1 1/8 Oval Head	5	5	1.6	(.7)
CD75-0163	2 1/4	(57)	1 5/16	(33.3)	1 - 10 x 1 1/8 Oval Head	5	5	1.6	(.7)
CD75-0164	2 1/4	(57)	1 5/16	(33.3)	1 - 10 x 1 1/8 Oval Head	5	5	1.6	(.7)
CD80-4010	2 1/4	(57)	1 5/16	(33.3)	1 - 10 x 1 1/8 Oval Head	5	60	20	(9)
CD80-4011	2 1/4	(57)	1 5/16	(33.3)	1 - 10 x 1 1/8 Oval Head	5	50	12	(5.4)

MISCELLANEOUS DOOR HARDWARE

High-Rise Floor Door Stop

- CD75-0058** – (ANSI LO2161) – Brass – 26
- CD75-0060** – (ANSI LO2161) – Brass – 14
- CD75-0061** – (ANSI LO2161) – Brass – 15
- CD75-0106** – (ANSI LO2161) – Brass – 10BL
- CD80-4115** – (ANSI LO2161) – Brass – 3



- Positive stopping action provided by non-marring bumper
- Designed for door undercut at point of installation $5/8'' - 1 1/16''$ (16 – 27 mm)

Class Numbers	Base Diameter		Installed Height		Screws and Plastic Anchor Per Piece	Quantity		Carton Weight	
	Inches	(mm)	Inches	(mm)		Per Box	Per Carton	Lbs.	(KG)
CD75-0058	1 ¹³ / ₁₆	(46)	1 ¹ / ₄	(31.8)	1- 14 x 1 ¹ / ₄ Flat Head	5	5	1.4	(.64)
CD75-0060	1 ¹³ / ₁₆	(46)	1 ¹ / ₄	(31.8)	1- 14 x 1 ¹ / ₄ Flat Head	5	5	1.4	(.64)
CD75-0061	1 ¹³ / ₁₆	(46)	1 ¹ / ₄	(31.8)	1- 14 x 1 ¹ / ₄ Flat Head	5	5	1.4	(.64)
CD75-0106	1 ¹³ / ₁₆	(46)	1 ¹ / ₄	(31.8)	1- 14 x 1 ¹ / ₄ Flat Head	5	5	1.4	(.64)
CD80-4115	1 ¹³ / ₁₆	(46)	1 ¹ / ₄	(31.8)	1- 14 x 1 ¹ / ₄ Flat Head	5	50	13	(5.9)

Lo-Rise Floor Door Stop

- CD75-0051** – (ANSI LO2141) – Brass – 26
- CD75-0053** – (ANSI LO2141) – Brass – 14
- CD75-0054** – (ANSI LO2141) – Brass – 15
- CD75-0105** – (ANSI LO2141) – Brass – 10BL
- CD80-4110** – (ANSI LO2141) – Brass – 3



- Positive stopping action provided by non-marring bumper
- Designed for door undercut at point of installation $3/16'' - 5/8''$ (5 – 16 mm)

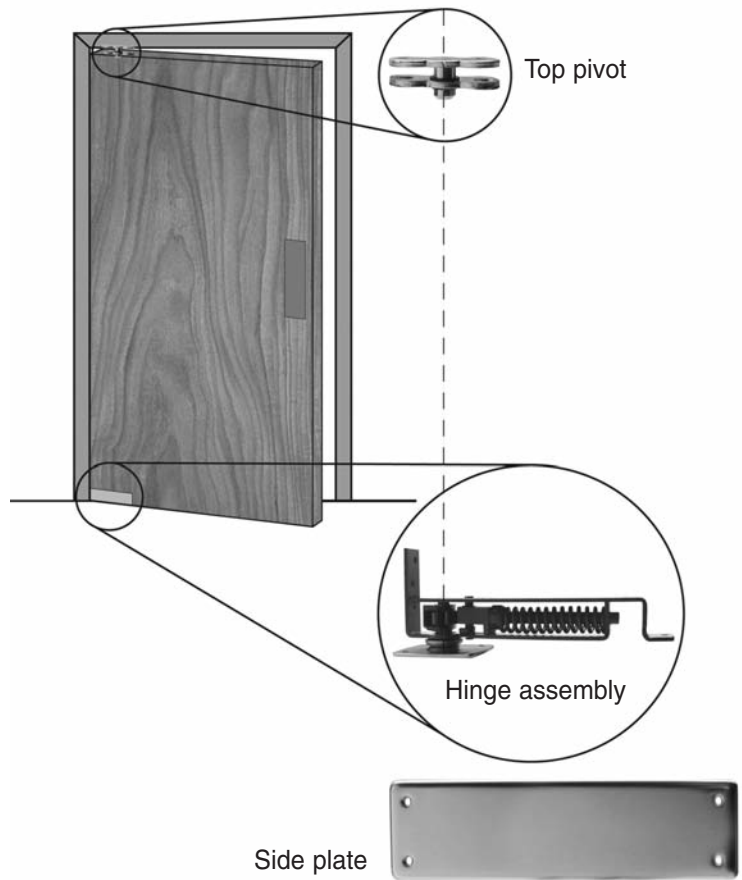
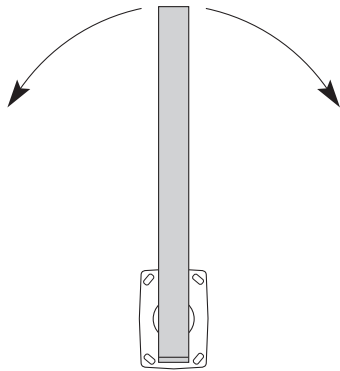
Class Numbers	Base Diameter		Installed Height		Screws and Plastic Anchor Per Piece	Quantity		Carton Weight	
	Inches	(mm)	Inches	(mm)		Per Box	Per Carton	Lbs.	(KG)
CD75-0051	1 ⁷ / ₈	(47.6)	1	(25.4)	1- 14 x 1 ¹ / ₄ Flat Head	5	5	1.3	(.6)
CD75-0053	1 ⁷ / ₈	(47.6)	1	(25.4)	1- 14 x 1 ¹ / ₄ Flat Head	5	5	1.3	(.6)
CD75-0054	1 ⁷ / ₈	(47.6)	1	(25.4)	1- 14 x 1 ¹ / ₄ Flat Head	5	5	1.3	(.6)
CD75-0105	1 ⁷ / ₈	(47.6)	1	(25.4)	1- 14 x 1 ¹ / ₄ Flat Head	5	5	1.3	(.6)
CD80-4110	1 ⁷ / ₈	(47.6)	1	(25.4)	1- 14 x 1 ¹ / ₄ Flat Head	5	50	10	(4.5)

MISCELLANEOUS DOOR HARDWARE

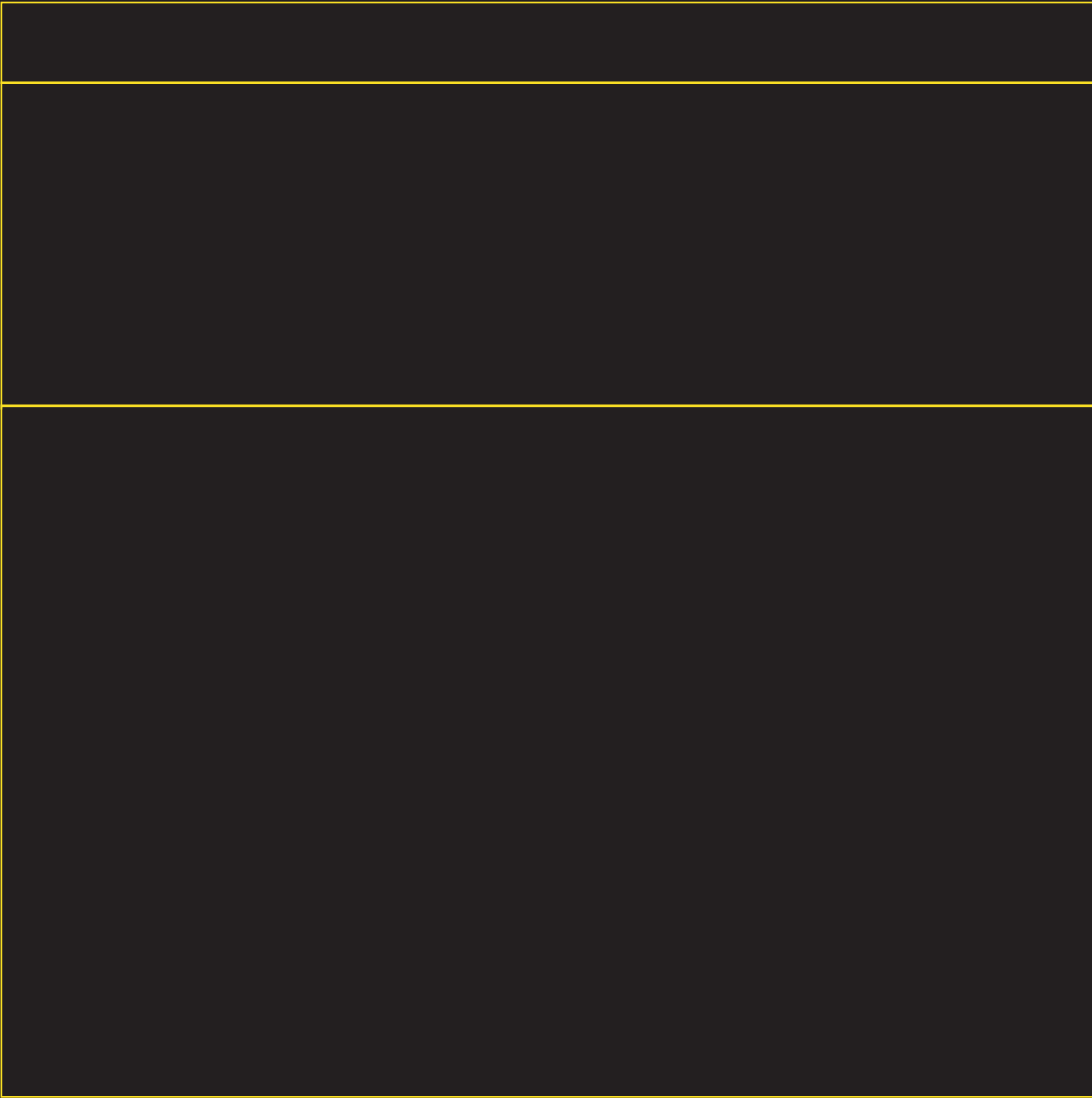
Residential Grade Double Acting Floor Hinge

BB159 – (ANSI K82183) – Steel – satin brass finish (US4)

- For low frequency residential double acting wood doors 1 3/8" to 1 3/4" thick weighing up to 75 lbs.
- Holds door open at approximately a 90° angle on either side of opening
- Ball bearing located at the top of the hinge carries the weight of door and takes the thrust of spring
- Hardened steel roller, working with the cam, insures easy and noiseless operation
- Spring tension is fully adjustable
- Set consists of top pivot, horizontal floor hinge, decorative plates, fasteners, and installation instructions.



Catalog Number	US4/EDP Number	Sets Per Box	Sets Per Case	Case Weight (lbs.)
BB159	38 4310	1	10	34



For more information on Stanley Security Solutions' products, services, and office locations visit our web site at www.stanleysecuritysolutions.com

Product information contained in this catalog has been compiled and presented with as much care and completeness as is reasonably possible. Errors or mistakes may be present, and in many cases, reliance has been placed on information supplied by other manufacturers which may be in error or which may be subject to changes or modifications by the manufacturer without notice and without obligation. Therefore, no guarantee can be made or should be assumed or implied with regards to product information contained in this catalog.



Stanley Security Solutions, Inc.

6161 E. 75th Street Indianapolis, Indiana 46250

©2010 Stanley Security Solutions, Inc. • www.stanleysecuritysolutions.com

10M 910
SAH016