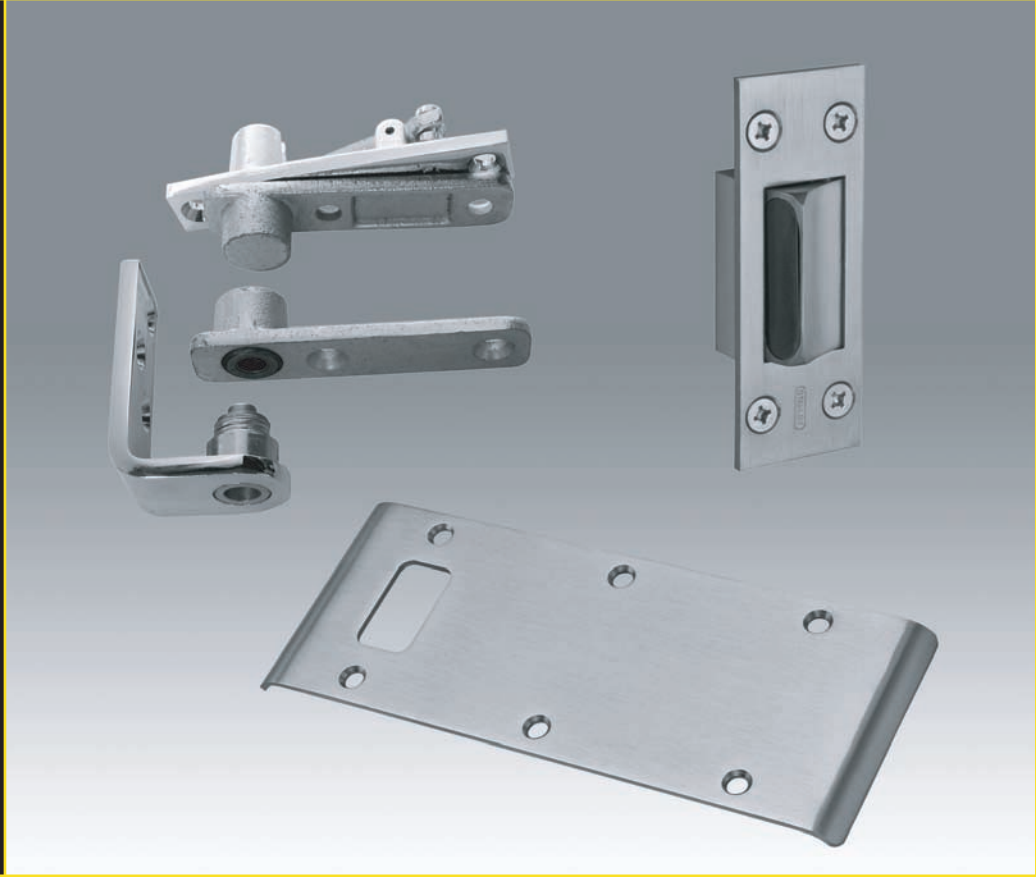


**STANLEY**<sup>®</sup>  
Security Solutions



**EMERGENCY RESCUE**

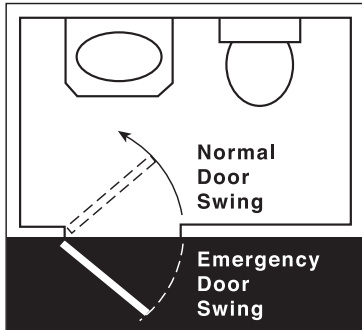
HARDWARE

**STANLEY**<sup>®</sup>

## EMERGENCY RESCUE HARDWARE

For a variety of door applications including patient rooms in hospitals, institutions, and convalescent homes to private baths. Permits doors to normally swing into the bath, thus saving space, yet swing out into the bedroom, incase of emergency when a patient is trapped inside.

Stanley hospital rescue hardware is composed of a Stanley DAP-3 (Double acting pivot), ES-1 (Emergency Door Stop), and DLS-1 or DSL-2 (Double Lipped Strike)



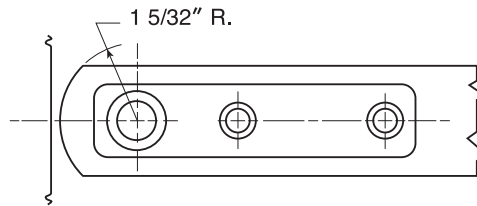
### Double Acting Pivot

**DAP-3** – (ANSI A2742) – Brass and malleable iron – standard finishes

- Heavy duty pivot assembly for commercial double acting interior doors of average frequency use, weighing up to 135 lbs. (61 Kg) and not exceeding 3' (91mm) in width
- For 1 3/8" (35 mm) and 1 3/4" (44mm) thick doors
- Header plate has a walking beam design to simplify door installation
- Extra heavy 1/4" (6.35mm) thick solid brass frame plates
- Oil impregnated bronze bearing in top door plate
- Smooth acting ball bearing assembly in bottom door plate
- For door undercuts in 1/16" (1.6mm) increments from 3/4" (19mm) to 1" (25mm)
- Bottom bracket is frame mounted and must be floor supported
- The recommended positioning of the door is to inset it 1/8" (3.2 mm) from the bathroom face of the frame

**Specifications:** Pivot point 1 1/4" (31.8mm) from jamb

Header plate (brass).....	4 7/8" x 7/8" x 1/4" (124mm x 22mm x 6.4mm)
Top door plate (malleable iron) .....	4 3/8" x 1" x 1/4" (111mm x 25.4mm x 6.4mm)
Bottom jamb bracket (brass) .....	3" x 1 1/4" x 1/4" (76mm x 32mm x 6.4mm)
Bottom door plate (malleable iron).....	4 3/8" x 1" x 1/4" (111mm x 25.4mm x 6.4mm)



Radius on pivot side of door

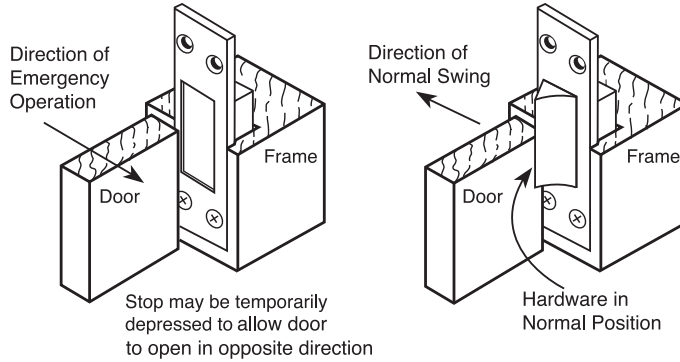
Flat Head Screws/ Per Set	Sets Per Box	Sets Per Case	Weight (Lbs.)	Weight (Kg)
4-14 x 1 1/2 wood screws	1	20	37	17
5-1/4-20 x 1/2 machine screws				

**Emergency Door Stop**

**ES-1** – (ANSI A1882) – Extruded and cast brass – standard finishes

- For converting double acting doors to single acting doors
- Emergency release allows door to swing open in opposite direction to reach ill patients who fall and block normal path of door
- Stop release resets automatically. Spring action stop, with finger-tip release, using pullman-type latch bolt with rubber bumper insert
- Refer to template for door clearance

**Specifications:** Surface plate – 4 1/2" x 1 5/8" (114mm x 41mm) bolt height 2" (51mm)  
 Case – 2 1/8" x 1 5/16" (54mm x 33mm)



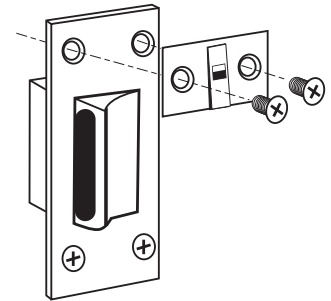
**ES-1**

Flat Head Screws Per Piece	Pieces Per Box	Pieces Per Case	Weight (Lbs.)	Weight (Kg)
4-12-24 x 1/2 brass machine screws	1	30	17	8

**Holdback for ES-1**

**HB-1** – Steel – standard finishes

- Used with ES-1 to allow doors to become double acting by holding emergency stop in depressed position
- Attaches to surface plate of ES-1
- Packed one in envelope with mounting instructions



**Double Lipped Strikes**

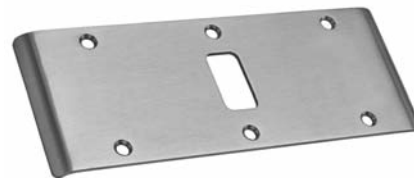
**DLS-1** – For 1/8" (3.2mm) Inset hung doors – Brass – standard finishes

**DLS-2** – For center hung doors – Brass – standard finishes

- Allows center hung doors to be opened in both directions without damage to frame
- Available for 5 3/4" (146mm) cased openings
- Latch bolt cut out is 1 1/4" x 11/16" ( 32mm x 17.5mm) ANSI standard for heavy-duty bored type locks. For mortise locks consult factory.
- .093" (2.4mm) material

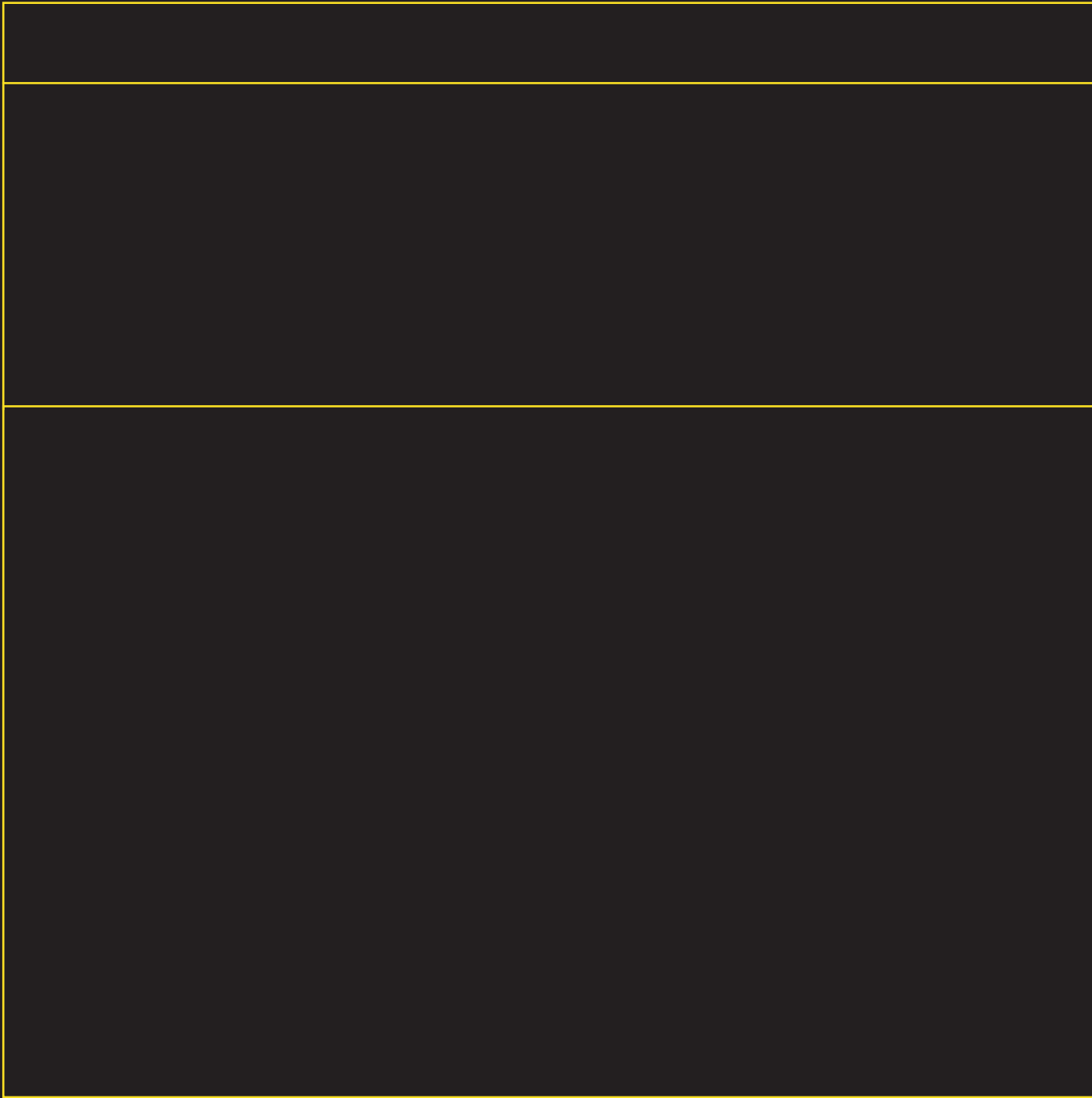


**DLS-1**



**DLS-2**

DLS- & DLS-2	Flat Head Screws Per Piece	Pieces Per Box	Pieces Per Case	Weight (Lbs.)	Weight (Kg)
	8-32 x 1/2 brass machine screws	1	50	30	13.6



For more information on Stanley Security Solutions' products, services, and office locations visit our web site at [www.stanleysecuritysolutions.com](http://www.stanleysecuritysolutions.com)

Product information contained in this catalog has been compiled and presented with as much care and completeness as is reasonably possible. Errors or mistakes may be present, and in many cases, reliance has been placed on information supplied by other manufacturers which may be in error or which may be subject to changes or modifications by the manufacturer without notice and without obligation. Therefore, no guarantee can be made or should be assumed or implied with regards to product information contained in this catalog.



**Stanley Security Solutions, Inc.**

6161 E. 75th Street Indianapolis, Indiana 46250

©2010 Stanley Security Solutions, Inc. • [www.stanleysecuritysolutions.com](http://www.stanleysecuritysolutions.com)

10M 910  
SAH014