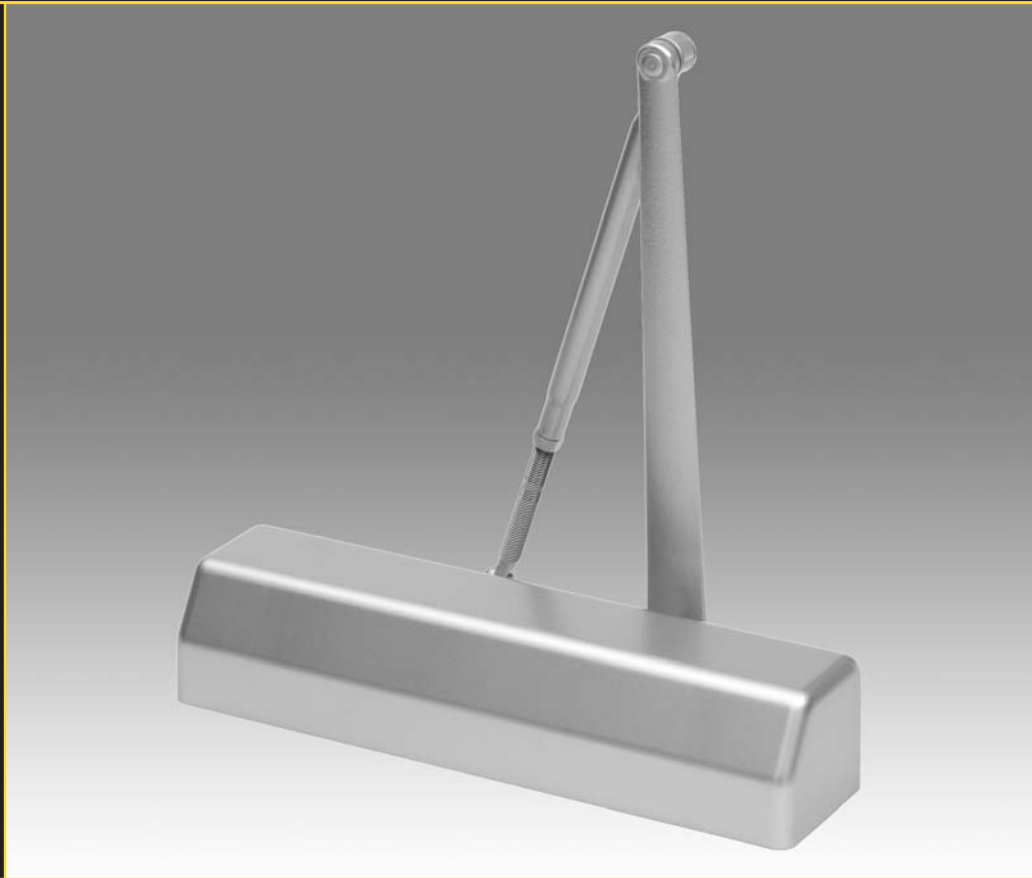


**STANLEY**<sup>®</sup>

Security Solutions



# DOOR CLOSERS

D-3550 / D-3551 SERIES

**STANLEY**<sup>®</sup>

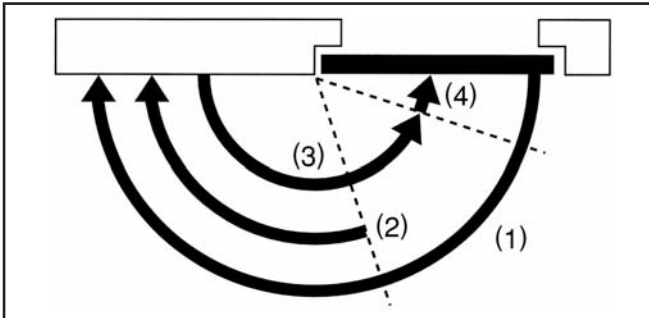
TABLE OF CONTENTS			
D-3550 / D-3551 Series	Page		Page
General Information .....	2, 3	Top Jamb Application .....	6
How To Order .....	3	Top Jamb Application .....	6
Standard Application .....	4	Track Rail Arm Application .....	7
Parallel Arm Application .....	5	Accessories.....	8

**Introduction**

The model D3550 Series is Stanley's most versatile Door Closer. The reduced body profile provides ease of installation on a variety of applications. In addition the R-14 Silicon Aluminum construction provides dependable performance under heavy loads associated with high use institutional applications. The D3550 Closer accommodates a variety of standard and heavy-duty arm applications.

**Features**

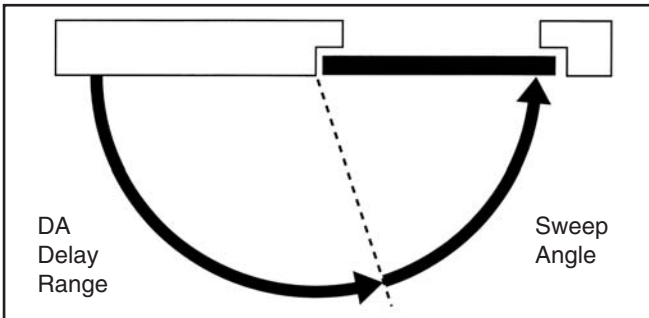
Controls the door through the entire opening and closing cycles by providing adjustable backcheck upon opening and adjusting general and latch speeds through the closing cycle.



- (1) opening swing, no checking
- (2) backcheck
- (3) general speed
- (4) latch speed

**Delayed Action - Optional**

The D-3550DA / D-3551DA Series Door Closers are equipped with a separate hydraulic valve adjustment to delay the closing speed from 180 to 70 degrees of door opening range.



**Non-Handed**

Can be used on both RH and LH doors for both push side and pull side mounting.

**Adjustable Spring Power**

The D-3550 Series Door Closers are adjustable from size 2 through 6 with 15% adjustment over size 6. The D-3551 Series Door Closers are adjustable from size 1 through 4. The D-3551 Series Door Closers are designed to meet entrance accessibility requirements of 5 LBF opening force or less.

**Non-Critical Regulation**

The separate adjustments for backcheck, general and latch speeds are equipped with non-critical "V-Slot" regulating valves which allow for fine tuning the closing and latching speeds as well as the backcheck intensity.

**All Season Fluid**

All season fluid eliminates the need for seasonal adjustment.

**Special High Silicon Aluminum Alloy Housing**

All D-3550 / D-3551 Series Door Closers are constructed of Stanley R14 HIGH SILICON ALUMINUM ALLOY to exceed the ANSI/BHMA A156.4 Grade 1 requirements.

**Forged Arms**

Heavy duty forged arms are interchangeable between the D-3550 and D-4550 Series Door Closers.

**High Impact Cover**

All D-3550 / D-3551 Series Door Closers are shipped with a high impact self-extinguishing decorative cover.

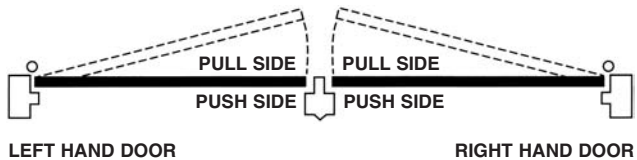
**Special Rust Inhibitor (SRI) - Optional**

For installations where a higher level of corrosive resistance is required.

**Maintenance Free**

Door Closers mounted in accordance with the provided installation instructions are maintenance free from periodic inspection and adjustment.

**Handing**

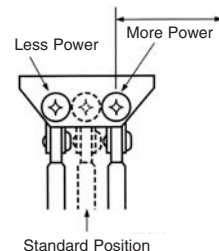
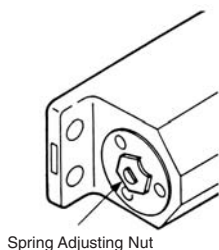


**Closing Power Adjustment**

**D-3550** – Size 2 – 6 with 15% adjustment over size 6. The D-3550 Series is adjusted to size 3 before leaving the factory.

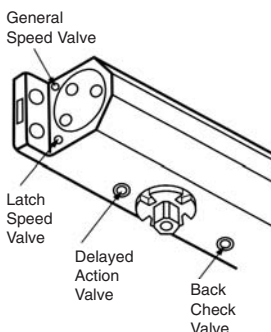
**D-3551** – Size 1 – 4 with 15% adjustment over size 4. The D-3551 Series Door Closer is specially designed for doors where the door opening forces shall be 5 LBF or less through 90°. The D-3551 Door Closer is adjustable up to a size 4.

The D-3551 Series is adjusted to size 2 before leaving the factory.



**Latching Power Adjustment**

The D-3550 / D-3551 Series Door Closers have the provision to adjust the leverage of the arms by changing the pivot position of the arm in the shoe. The shoe itself does not have to be removed from the door or jamb.



**Delayed Action**

A delayed action feature is available with this series for all applications and arms. The feature permits the door to close very slowly through the delayed action cycle range. To order add suffix DA to closer number.

**Arm Options**

Suffix	Description	Page
L	Long Rod Forearm (TJ only)	9
H	Standard Hold Open	4
PH	Parallel Hold Open	5
EDA	Heavy Duty Arm	7
H-EDA	Heavy Duty Arm w/Hold Open	7
S	Heavy Duty Arm w/Stop	7
CS	Heavy Duty Arm w/Compression Stop	7
HS	Heavy Duty Arm w/Hold Open and Stop	7
HCS	Heavy Duty Arm w/Hold Open & Comp. Stop	7
T	Track Mount	8
HT	Track Mount w/Hold Open	8
TCS	Track Compression Stop	8

**Packing**

All D-3550 / D-3551 Series Door Closers with standard arm sets are packed for mounting on standard, parallel arm or top jamb applications. All closer assemblies are packed 4 per carton. Tracks for track mounted closers are packed separately.

**Through Bolts and Sex Nuts**

When through bolting is ordered, factory will furnish sex nuts for use with the machine screws furnished with the closer. Nuts are sized to accommodate 1-3/8" or 1-3/4" thick doors.

**ANSI and U.L. Specifications**

The D-3550/D-3551 Series Door Closers have been Certified to the requirements of the ANSI/BHMA Standard A156.4 - 2000 Grade 1.



Listed with Underwriters' Laboratories, Inc. and Underwriters' Laboratories of Canada. "For Self-Closing Doors Without Hold-Open Feature" on R7525(R).

D-3550 / D-3551 Series Door Closers have been certified by UL to be in compliance with UL 10 C and UBC 7.2 (1997).

**HOW TO ORDER D-3550/D-3551**

D-355	0	DA	EDA	689	SN
Model No.	Size	Options	Arm Type	Finishes	Fasteners
<b>D-355</b>	0- See Closing Power Adjustment (above) 1- See Closing Power Adjustment (above)	DA – Delayed Action (optional)	L- Long Rod Forearm (TJ only) H – Standard Hold Open PH – Parallel Hold Open EDA – Heavy Duty Arm H-EDA – Heavy Duty Arm w/ Hold Open S – Heavy Duty Arm w/ Stop CS – Heavy Duty Arm w/ Compression Stop HS – Heavy Duty Arm w/ Hold Open & Stop HCS – Heavy Duty Arm w/ Hold Open & Comp. Stop T – Track Mount HT – Track Mount w/ Hold Open TCS- Track Compression Stop	<b>689</b> <b>690</b> <b>691</b> <b>693</b> <b>695</b> <b>696</b>	SN – Sex Nuts & Bolts Wood & Machine Screws furnished standard SEC – Security Screws

## STANDARD APPLICATION

### D-3550 / D-3551 Series Door Closer

#### Specifications

- Closer mounted on **PULL** side of door
- Can be templated for either 120° or 180° (when butt, frame and wall conditions permit.)
- Custom installation template may be available for unusual installation conditions. Contact Stanley for assistance.

#### Maximum Door Opening

##### 120° Opening

A = 11-9/32" (286 mm)

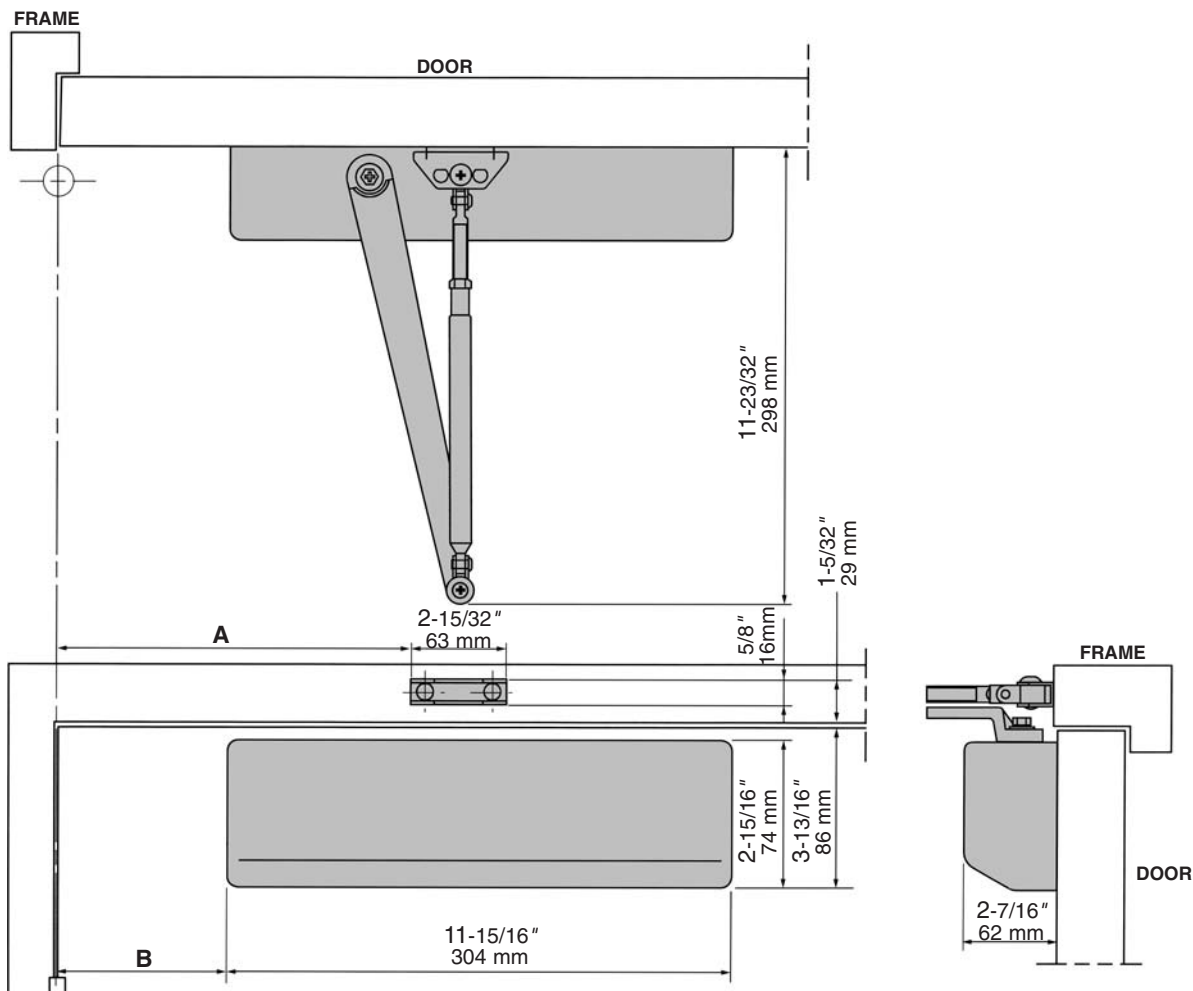
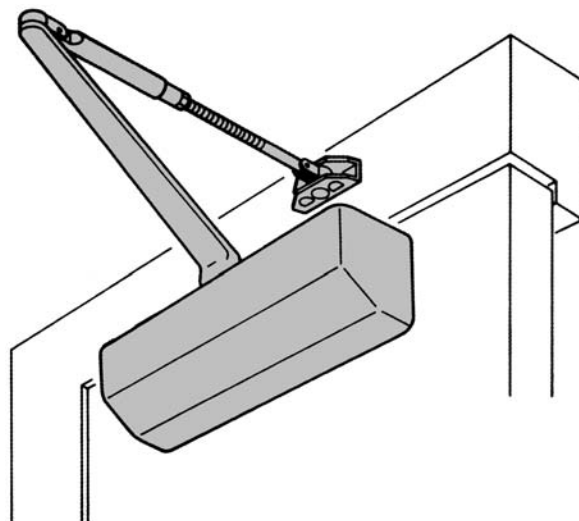
B = 6-3/32" (165 mm)

##### 180° Opening

A = 9-3/32" (236 mm)

B = 4-3/32" (104 mm)

Hold-open points up to maximum door opening with hold open arm.



## PARALLEL ARM APPLICATION

### D-3550 / D-3551 Series Door Closer

#### Specifications

- Closer mounted on **PUSH** side of door
- Can be templated for either 120° or 180° (when butt, frame and wall conditions permit.)
- Custom installation template may be available for unusual installation conditions. Contact Stanley for assistance.

#### Maximum Door Opening

120° Opening

A = 8-23/32" (222 mm)

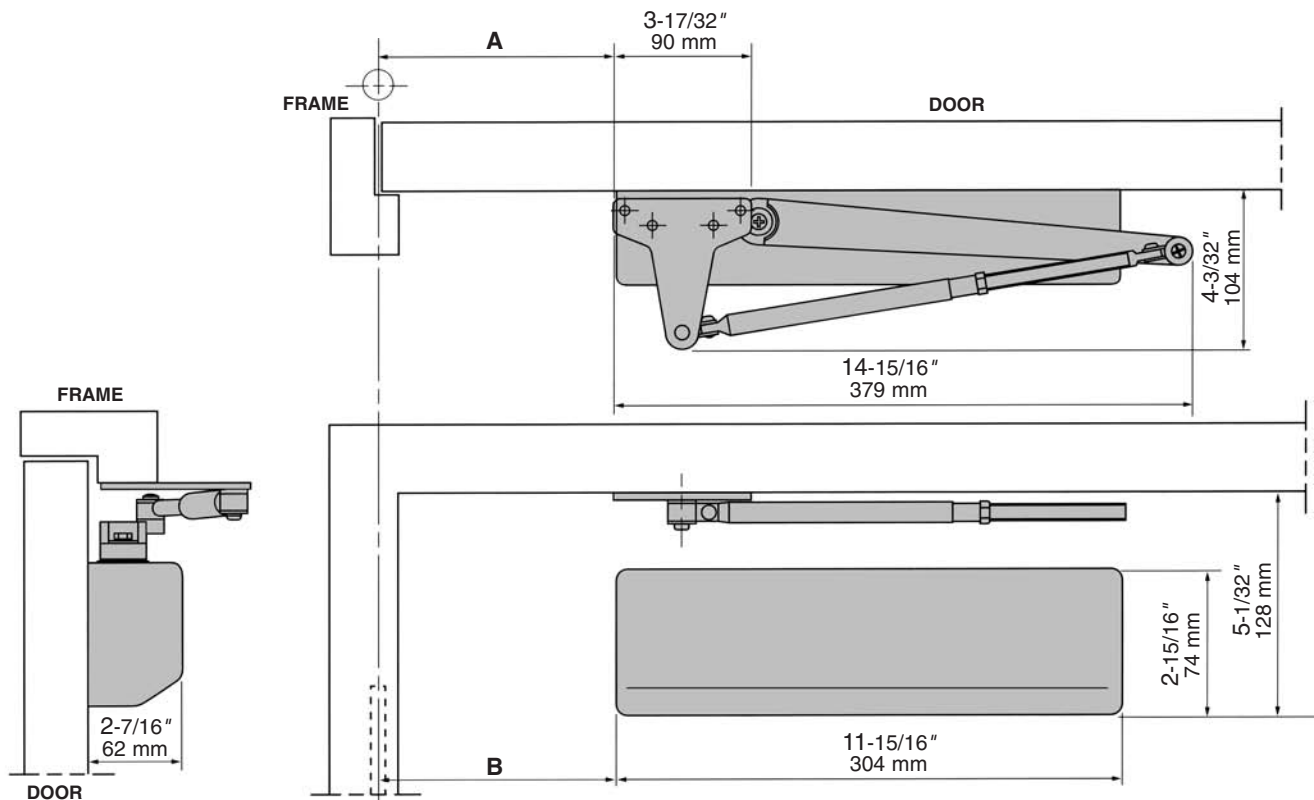
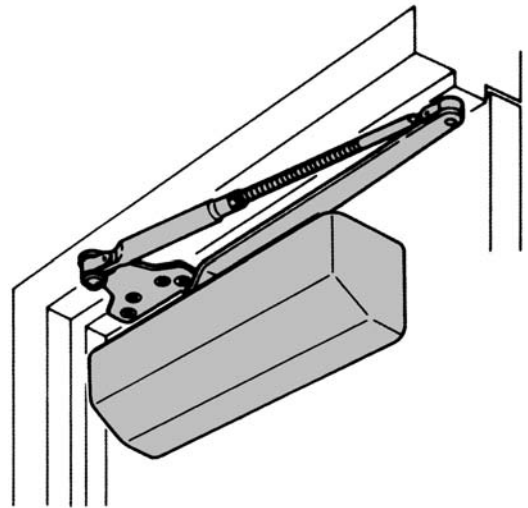
B = 4-9/16" (116 mm)

180° Opening

A = 6-3/32" (155 mm)

B = 1-15/16" (50 mm)

Hold-open points up to maximum door opening with hold open arm.

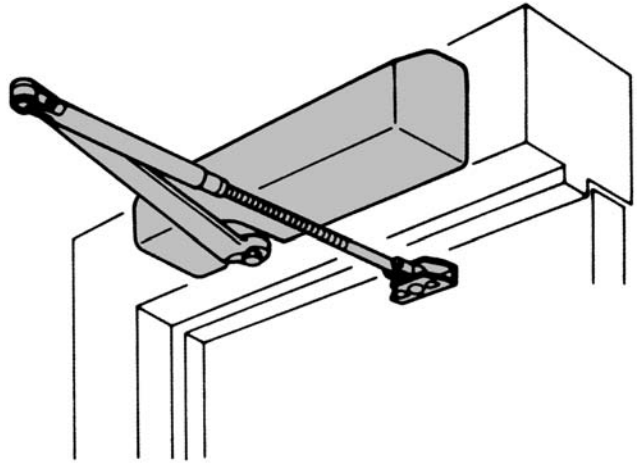


## TOP JAMB APPLICATION

### D-3550 / D-3551 Series Door Closer

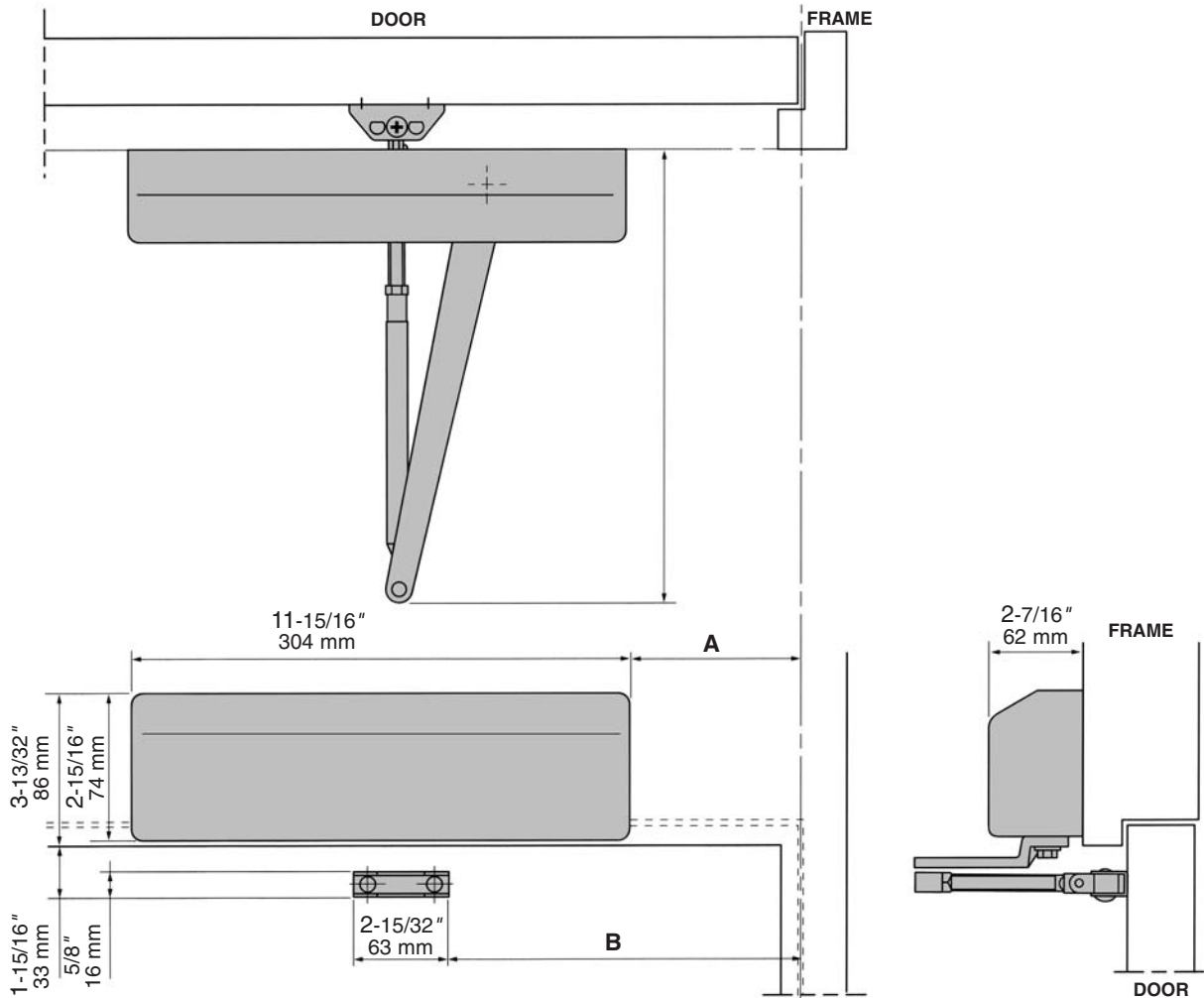
#### Specifications

- Closer mounted on PUSH side of door
- Can be templated for either 120° or 180° (when butt, frame and wall conditions permit.)
- Standard reveals up to 3-5/32" (78 mm)
- For deeper reveals use long rod and shoe A45-501L (See page 8)
- Custom installation template may be available for unusual installation conditions. Contact Stanley for assistance.



#### Maximum Door Opening

- 120° Opening  
 A = 6-3/32" (155 mm)  
 B = 11-9/32" (286 mm)
- 180° Opening  
 A = 4-3/32" (104 mm)  
 B = 9-9/32" (236 mm)

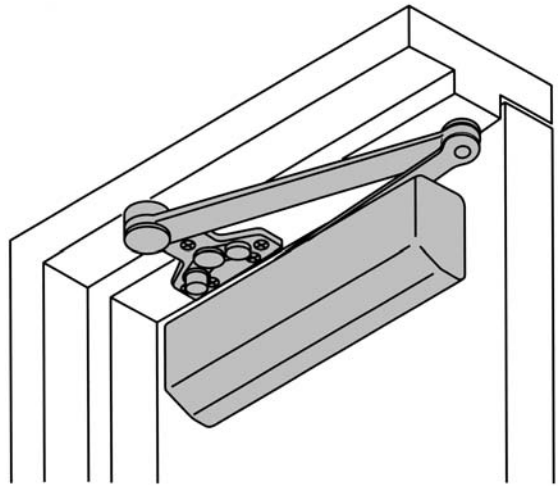


## HEAVY DUTY ARM APPLICATION

### D-3550 / D-3551 Series Door Closer

#### Specifications

- EDA, H-EDA, S, CS, HS and HCS
- Closer mounted on **PUSH** side of door
- Can be templated for either 120° or 180° (when butt, frame and wall conditions permit.)
- Custom installation template may be available for unusual installation conditions. Contact Stanley for assistance.



#### Maximum Door Opening

120° Opening

A = 7-3/8" (187 mm)

B = 2-1/4" (58 mm)

160° Opening

A = 6-1/4" (159 mm)

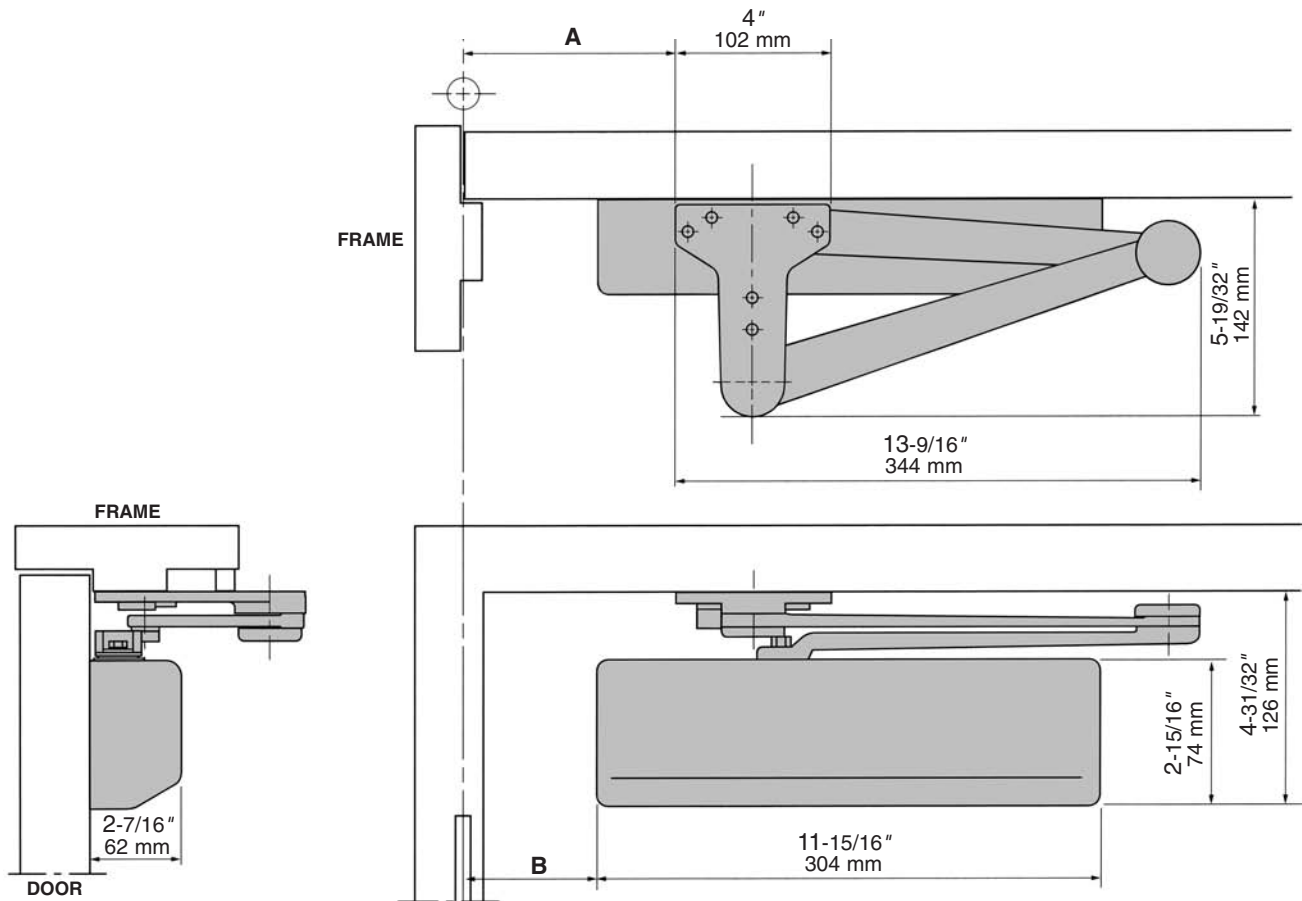
B = 1-3/32" (28 mm)

180° Opening

A = 4-5/8" (117 mm)

B = 3-3/4" (95 mm)

Hold-open points up to maximum door opening with hold open arm.





# TRACK RAIL ARM APPLICATION

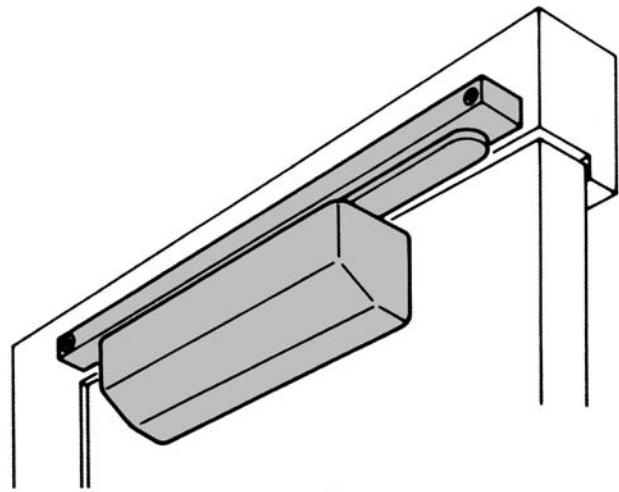
## D-3550 / D-3551 Series Door Closer

### Specifications

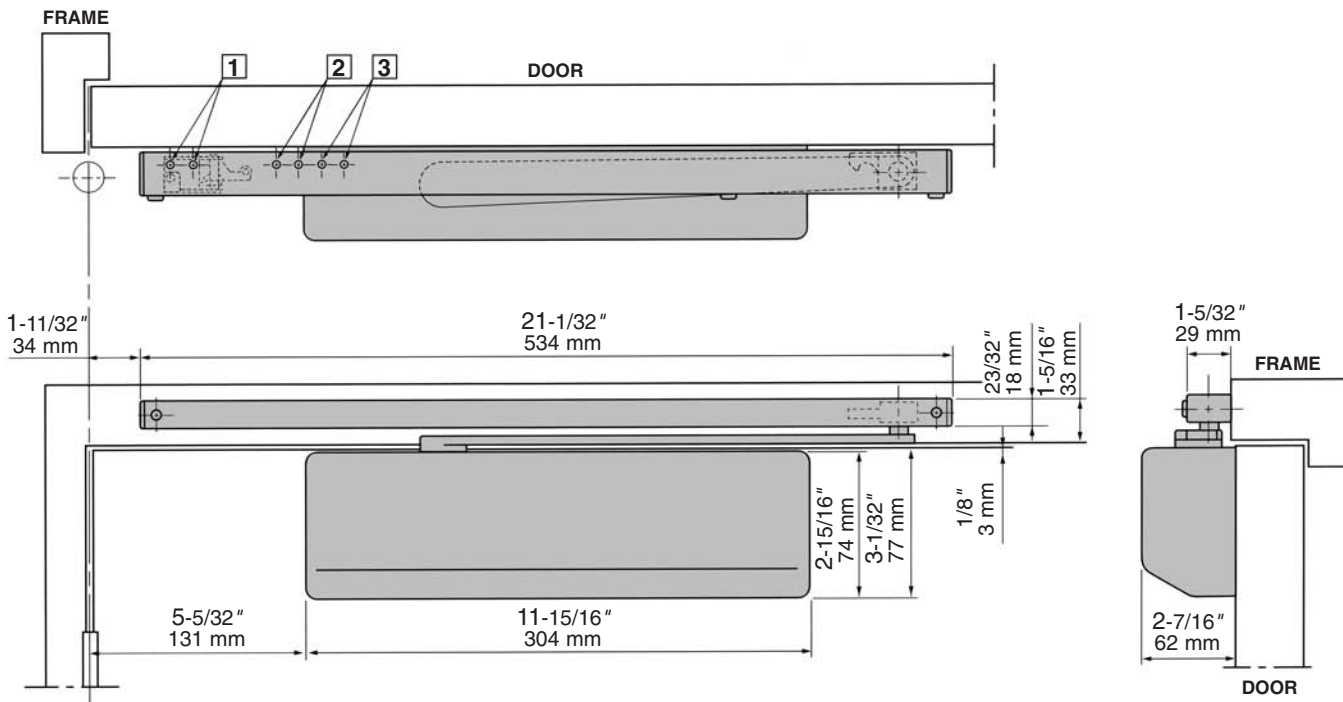
- T, HT, TCS Application
- Closer mounted on **PULL** side of door
- Custom installation template may be available for unusual installation conditions. Contact Stanley for assistance.

### Maximum Door Opening

120° Opening

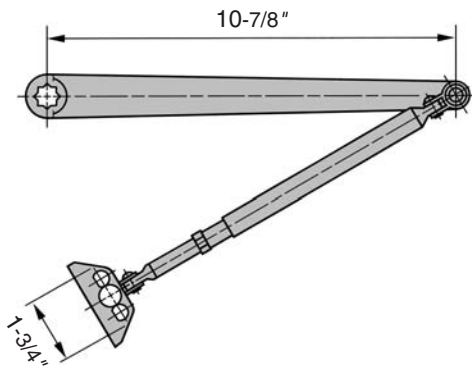


Hold Open Device	1	2	3
Hold Open Angle	92°	83°	81°

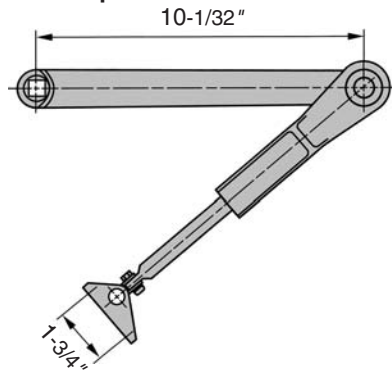




**Standard Arm Set A45-501**

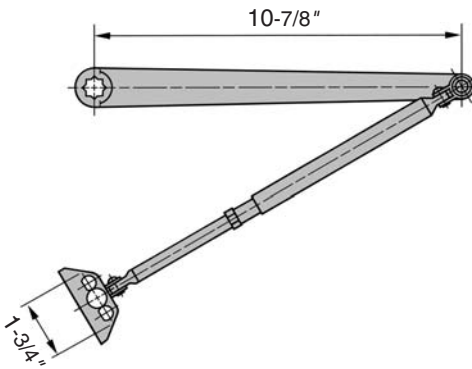


**Standard Hold-Open Arm Set A45-501H**



**Standard Arm Set with Long Rod and Shoe Set A45-501L**

- For reveals from 2-1/2" to 8"

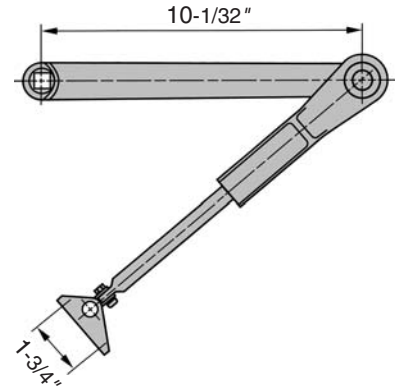


**Standard Hold-Open Arm with Long Rod and Shoe Set A45-501HL**

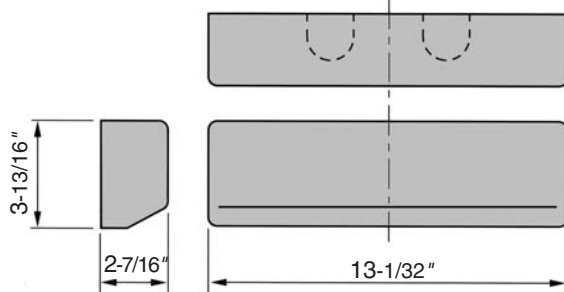
- For reveals from 3-3/16" to 4-13/16"

**A45-501HXL**

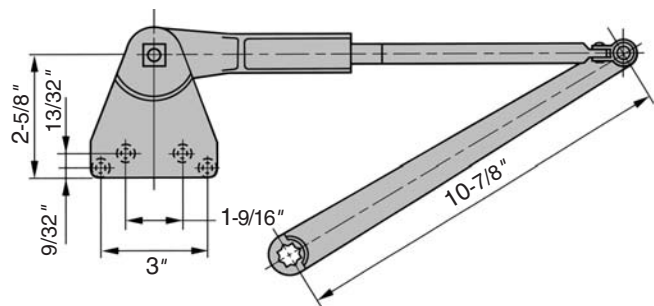
- For reveals from 4-7/8" to 8"



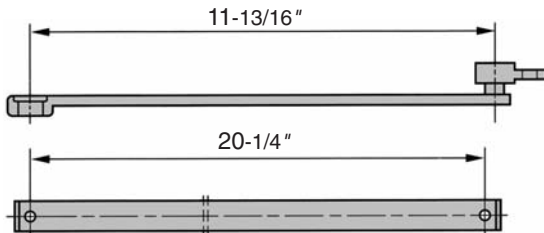
**Full Cover (Optional) C-455 Plastic**



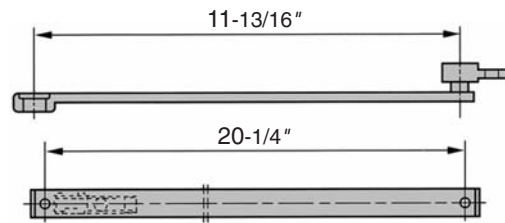
**Parallel Hold-Open Arm Set A45-503H**



**Track Rail Arm Set A45-507T**

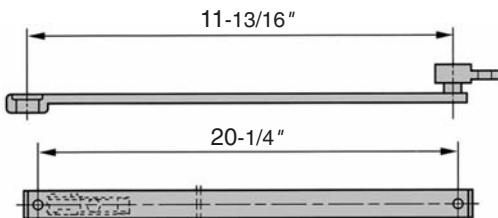


**Track Rail Hold-Open Arm Set A45-507HT**



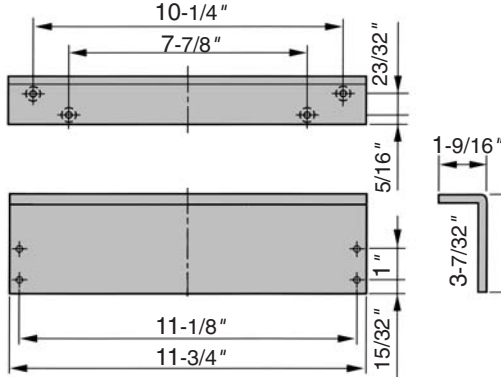
**Track Rail Arm Set A45-507TCS**

- Includes internal bumper for compression stop

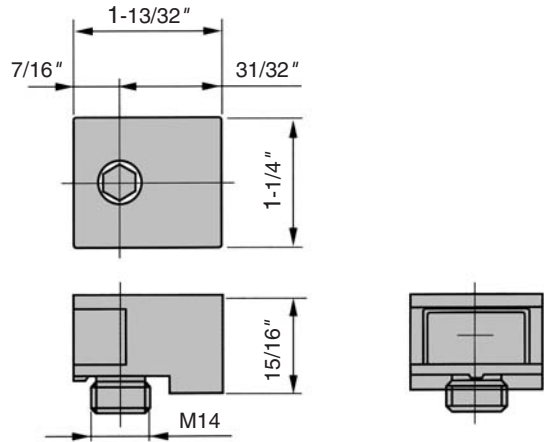


**ACCESSORIES**

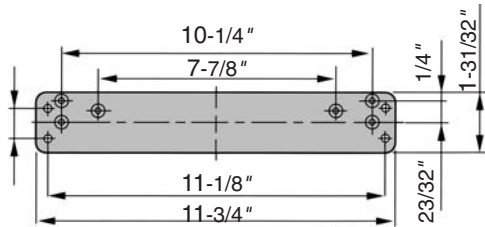
**Angle Bracket  
P35-190**



**Compression Stop**



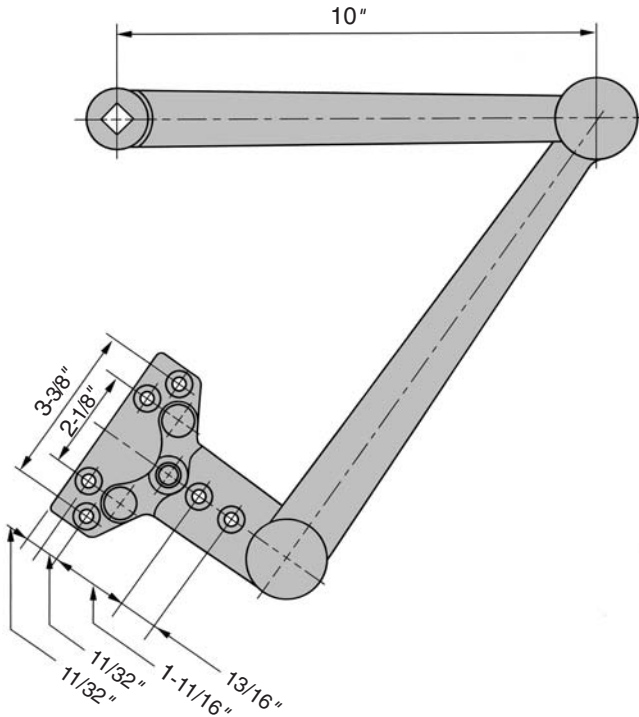
**Drop Plate  
P35-180**



**Heavy Duty Parallel Arm Set  
A45-505**

**Heavy Duty Parallel Arm Set with Stop  
A45-505S**

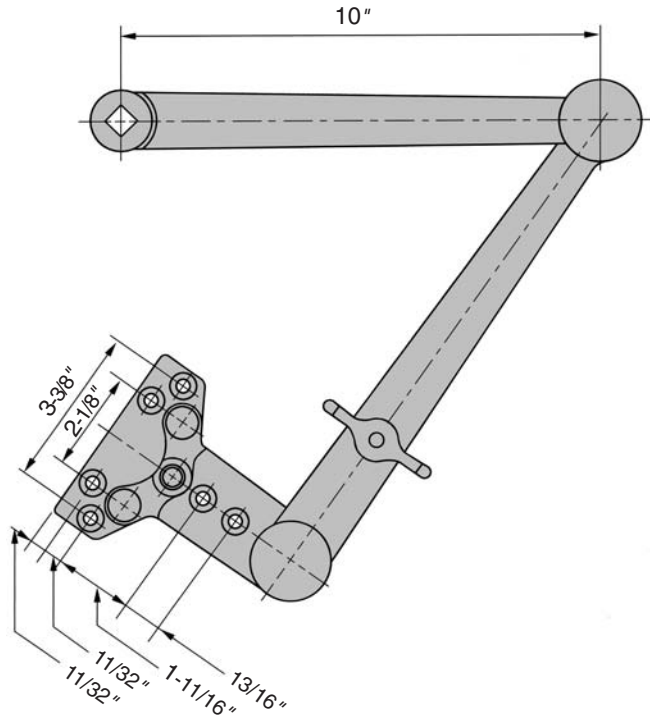
**Heavy Duty Parallel Arm Set with Compression Stop  
A45-505CS**



**Heavy Duty Parallel Arm Set with Hold Open  
A45-505H**

**Heavy Duty Parallel Arm Set with Stop and Hold Open  
A45-505HS**

**Heavy Duty Parallel Arm Set with Compression Stop and Hold Open  
A45-505HCS**



**Spacer Block for Mounting PA Bracket on Rabbet**  
P45-110

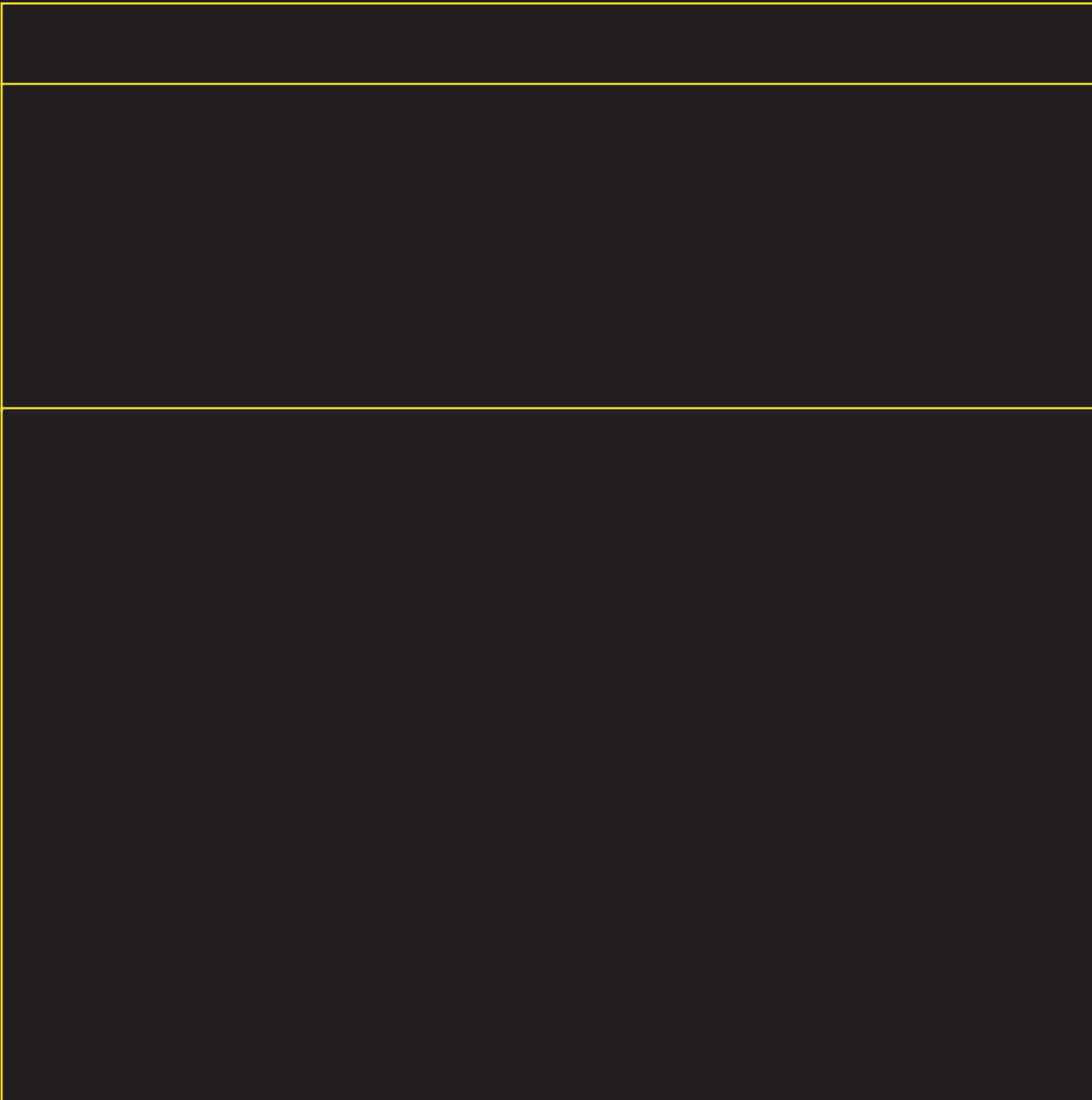
**Spacer Block for Mounting HD Arms on Rabbet**  
P45HD-110

**Angle Bracket for Mounting HD Arms on Flush Transom**  
P45HD-114

**Angle Bracket for Mounting PA Bracket on Flush Transom**  
P45-114

**Angle Bracket for Shoe Support on HD Arms**  
P45HD-112

**Extra-Clearance Offset Soffit Plate**  
P45-113



For more information on Stanley Security Solutions' products, services, and office locations visit our web site at [www.stanleysecuritysolutions.com](http://www.stanleysecuritysolutions.com)

Product information contained in this catalog has been compiled and presented with as much care and completeness as is reasonably possible. Errors or mistakes may be present, and in many cases, reliance has been placed on information supplied by other manufacturers which may be in error or which may be subject to changes or modifications by the manufacturer without notice and without obligation. Therefore, no guarantee can be made or should be assumed or implied with regards to product information contained in this catalog.



**Security Solutions**

**Stanley Security Solutions, Inc.**

6161 E. 75th Street Indianapolis, Indiana 46250

[www.stanleysecuritysolutions.com](http://www.stanleysecuritysolutions.com)

© 2009 Stanley Security Solutions, Inc. and Stanley Logistics

10M R109  
SDC006