

HANDLESETS

HANDLESET SPECIFICATIONS

Door Preparation	2-1/8" cross bore for both deadbolt and grip. 1" edge bore for both grip latch and deadbolt latch.
Door Thickness	1-3/4" to 2" standard. Up to 2-1/2" doors optional through thick door option or service part kit.
Cylinder	Baldwin C-Keyway standard. SmartKey® re-key technology optional.
Backset	Adjustable 2-3/8" or 2-3/4".
Front & Latch	Square Corner Adjustable (SL) standard. Round Corner (RL), Drive-In (DL), or 6 Way Adjustable (6L) optional.
Strike	Square Corner (SS) standard. Round Corner (RS), or Dual Strike (DS) optional. Extended Lip strike shipped with all thick door locks (ES).
Latch Bolt	Deadbolt features 1" throw brass bolt latch. Grip offers 1/2" passage/privacy function bolt.
Handing	Handing only required when ordering lever interior style.
ANSI/BHMA	Deadbolt tested to exceed ANSI/BHMA Grade 2 security.
ADA	N/A
UL	20-minute certified UL option available.

FUNCTIONS



Single Cylinder (SC)



Double Cylinder (DC)



Full Dummy (FD)

FINISHES

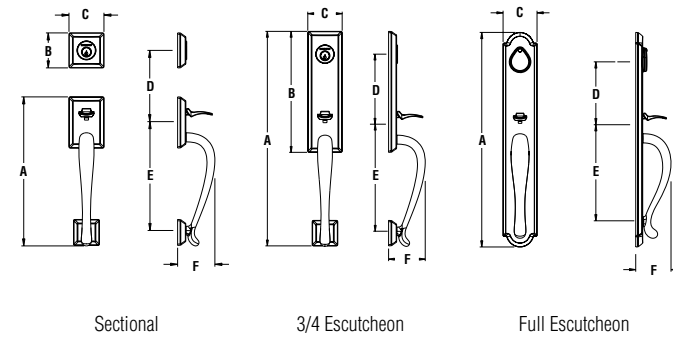


LIMITED LIFETIME MECHANICAL • 25-YEAR FINISH WARRANTY

BALDWIN

19701 DA VINCI · LAKE FOREST · CALIFORNIA 92610
800.437.7448 · BALDWINHARDWARE.COM

HANDLESET DIMENSIONS



SECTIONAL

	COL	NAP	WES	ADI
A	12"	11-1/2"	12-1/16"	12-1/16"
B	3-29/32"	2-11/16"	3-13/32"	3-7/8"
C	2-11/16"	2-11/16"	2-11/16"	2-11/16"
D	Adjustable	Adjustable	Adjustable	Adjustable
E	8-3/32"	8-3/32"	8-3/32"	8-3/32"
F	2-7/8"	2-7/8"	3-1/16"	3-3/32"

3/4 ESCUTCHEON

	CHE	DEL	ELI	NEW
A	18-9/32"	16-27/32"	18-5/8"	17-5/8"
B	10-13/16"	9-1/2"	10-5/16"	10-5/16"
C	3-5/32"	2-11/16"	2-11/16"	2-11/16"
D	5-1/2"	5-1/2"	5-1/2"	5-1/2"
E	8-13/32"	8-13/32"	8-13/32"	8-13/32"
F	2-7/8"	2-7/8"	3-4/32"	3-1/16"

	MIA	SEA	COT	FAI	KOD
A	18-1/16"	17-1/2"	20-5/16"	17-11/16"	18-15/32"
B	9-27/32"	9-1/2"	11-3/16"	10"	10-9/16"
C	2-11/16"	2-11/16"	2-7/8"	2-15/16"	2-31/32"
D	5-1/2"	5-1/2"	5-1/2"	5-1/2"	5-1/2"
E	8-13/32"	8-13/32"	8-13/32"	8-13/32"	8-13/32"
F	3"	2-13/32"	3-1/32"	3-1/8"	3-3/32"

FULL ESCUTCHEON

	ELK	LON
A	18-25/32"	18-1/4"
B	N/A	N/A
C	2-13/32"	2-15/16"
D	5-1/2"	5-1/2"
E	8-13/32"	8-13/32"
F	3-3/32"	3-1/8"

BALDWIN®

HANDLESETS

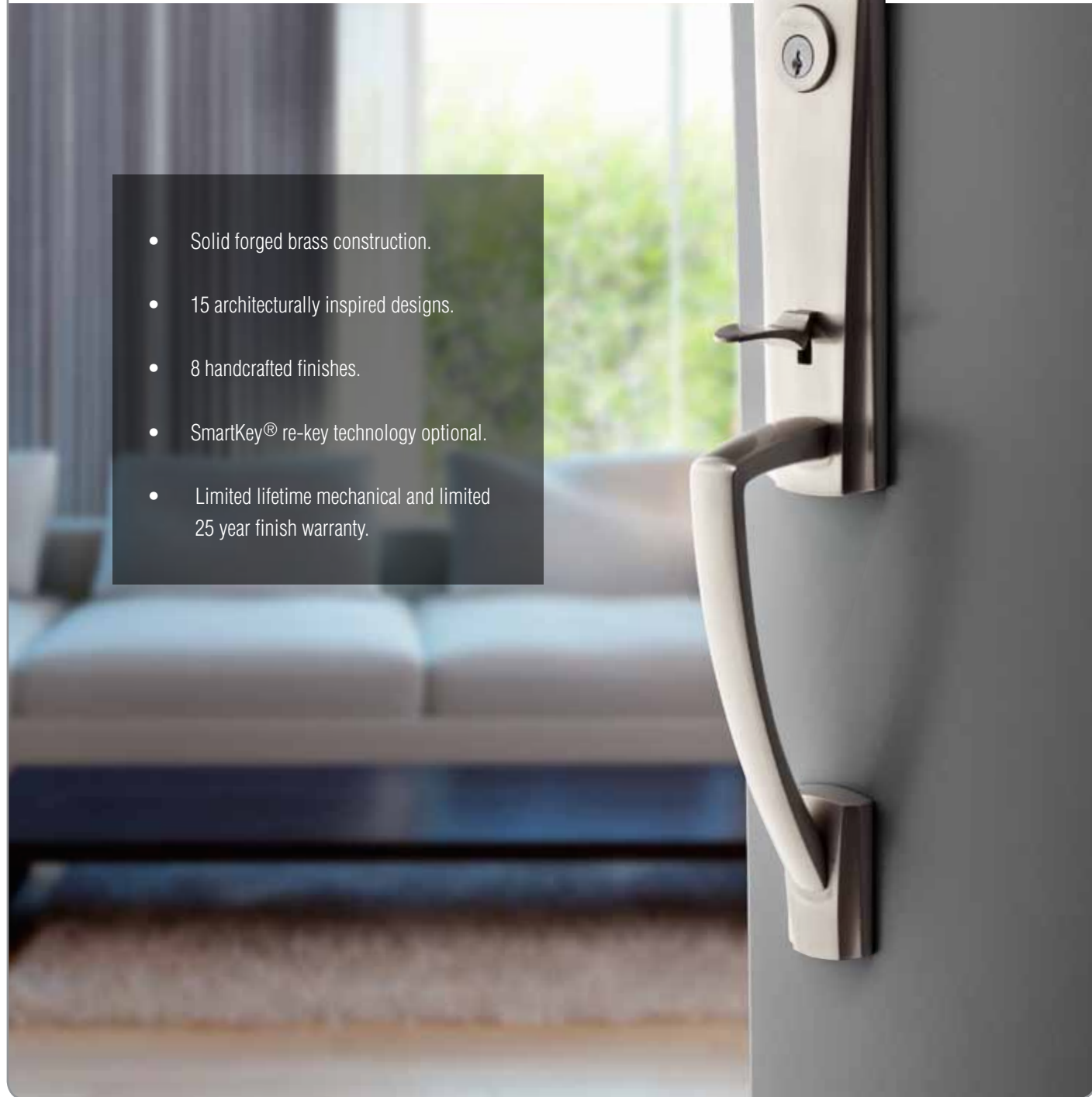


RESERVE™

SINCE 1946, BALDWIN HARDWARE HAS DELIVERED MODERN LUXURY TO

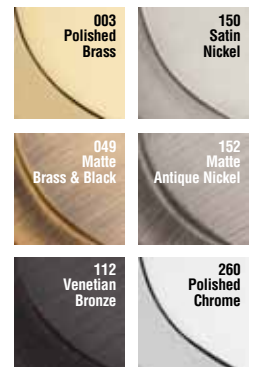
DISCERNING HOMEOWNERS, ARCHITECTS AND DESIGNERS THROUGH SUPERIOR

DESIGN, CRAFTSMANSHIP AND FUNCTIONALITY.



- Solid forged brass construction.
- 15 architecturally inspired designs.
- 8 handcrafted finishes.
- SmartKey® re-key technology optional.
- Limited lifetime mechanical and limited 25 year finish warranty.

TRADITIONAL



CONTEMPORARY



RUSTIC

