



1100 Series

Industrial Door Closers



introduction



The Yale® 1100 series industrial door closers are ideal for a wide variety of commercial applications where ease of use and installation are required at an economic price.

The 1100 series features rugged construction, adjustments for closing and latch speed, and rack and pinion operation.

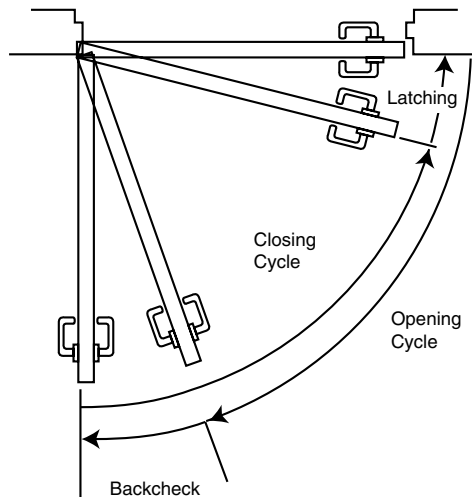
features

- 1101BF (non-hold open) and 1111BF (hold open) door closers are adjustable spring sizes 1 through 4
- 1104BC (non-hold open) door closers are spring size 4
- Non-handed
- Full rack and pinion
- Aluminum
- Tri-packed: regular, parallel or top jamb mounting
- Adjustable backcheck valve
- Adjustable closing speed valve
- Adjustable latching speed valve
- Auxiliary door stop required
- Sleeve nuts included with all models (1-3/4")
- 5-year limited warranty
- 1101BF closers available with or without cover

certifications

- UL and cUL listed. This includes compliance to UL10C. 
- 1101BF/1111BF - designed to meet requirements for ANSI/BHMA A156.4 Grade 1. Door closers meet handicapped requirements for light to medium weight interior doors. 
- 1104BC - designed to meet requirements for ANSI/BHMA A156.4 Grade 2

door closing latching cycle



contents

- Introduction 2
- Features 2
- Certifications 2
- Door Closing Latching Cycle 2
- Applications 3
- Dimensions 3
- How To Order 3
- Finishes 3



applications

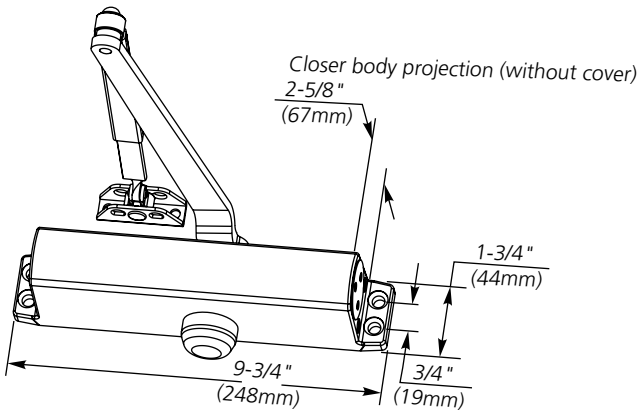
regular arm

top jamb

parallel arm



dimensions



how to order

Model#	Description	Finish
1101BF	Multi-sized Closer - Non-Hold Open	689 or 690
1101BFxCOV	Multi-sized Closer - Non-Hold Open with Cover	
1104BC	Size 4 Closer with Backcheck - Non-Hold Open	
1111BF	Multi-sized Closer - Hold Open	

Sleeve Nuts furnished standard with all models.

Note: Contact factory if door weight exceeds 250 lbs.

parts list

Description	Part Number*
Sleeve Nuts (1-3/4" door only)	SN-134
Cover (order by part number)	1100COV

* - specify finish when ordering

finishes

ANSI/BHMA Code	Finish Description
689	Aluminum Painted
690	Dark Bronze Painted

online literature and templates

For the latest information on Yale Locks & Hardware products, visit our website at: www.yalelocks.com

Click on the “Product Information” button to find:

- Catalogs
- Parts manuals
- Templates
- Specifications
- Installation instructions

Yale® customers can click on the ebusiness symbol  on the website to register for an ebusiness account to:

- Check the status of orders
 - Check availability of QuickShip items
 - Track your order and confirm delivery
 - Receive email notification of template changes
- And More...

Or contact us at:

U.S.A.

Yale Locks & Hardware

Address: 225 Episcopal Road, Berlin, CT 06037-4004
 Tel: 1-800-438-1951 • Fax: 1-800-338-0965 • www.yalelocks.com

Canada:

ASSA ABLOY Door Security Solutions Canada

Address: 160 Four Valley Drive, Vaughan, Ontario L4K 4T9
 Tel: 1-800-461-3007 • Fax: 1-800-461-8989 • www.assaabloy.ca

International:

ASSA ABLOY Americas International

Tel: 1-905-821-7775 • Fax: 1-905-821-1429 • www.assaabloyai.com

Yale Locks & Hardware is a division of Yale Security Inc., an ASSA ABLOY Group company.

Yale® is a registered trademark of Yale Security Inc. an ASSA ABLOY Group company. Other products' brand names may be trademarks or registered trademarks of their respective owners and are mentioned for reference purposes only. These materials are protected under U.S. copyright laws. All contents current at time of publication. Yale Security Inc. reserves the right to change availability of any item in this catalog, its design, construction, and/or its materials. Copyright © 2010, 2015, Yale Security Inc. an ASSA ABLOY Group company. All rights reserved. Reproduction in whole or in part without the express written permission of Yale Security Inc. is prohibited.

YALE, with its unique global reach and range of products, is the world's favorite lock.

ASSA ABLOY is the global leader in door opening solutions, dedicated to satisfying end-user needs for security, safety and convenience.

42704-8/15R